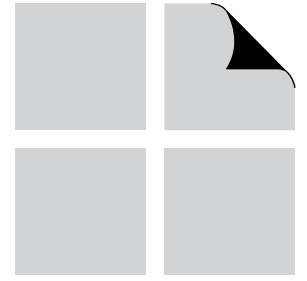


**110 MPH  
EXPOSURE B**



**GUIDE**

# WFCM

**WOOD | FRAME | CONSTRUCTION | MANUAL**

**GUIDE TO WOOD CONSTRUCTION  
IN HIGH WIND AREAS  
FOR ONE- AND TWO-FAMILY DWELLINGS**



A F & P A<sup>®</sup>



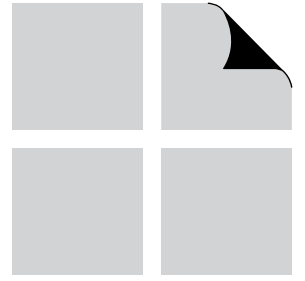
**American Forest & Paper Association  
American Wood Council**

**In Cooperation with the  
International Code Council<sup>®</sup>**

## **Updates and Errata**

While every precaution has been taken to ensure the accuracy of this document, errors may have occurred during development. Updates or Errata for the WFCM Guide are posted to the American Wood Council website at [www.awc.org](http://www.awc.org). Technical inquiries may be addressed to [awcinfo@afandpa.org](mailto:awcinfo@afandpa.org).

**110 MPH  
EXPOSURE B**



**GUIDE**

# **WFCM**

**WOOD FRAME CONSTRUCTION MANUAL**

**GUIDE TO WOOD CONSTRUCTION  
IN HIGH WIND AREAS  
FOR ONE- AND TWO-FAMILY DWELLINGS**

**Guide to Wood Construction in High Wind Areas for One- and Two-Family Dwellings –  
110 mph Exposure B Wind Zone, 2006 Edition**

First Printing: October 2006

ISBN 0-9786245-1-3

Copyright © 2006 by American Forest & Paper Association, Inc.

All rights reserved. No part of this publication may be reproduced, distributed, or transmitted in any form or by any means, including, without limitation, electronic, optical, or mechanical means (by way of example and not limitation, photocopying, or recording by or in an information storage retrieval system) without express written permission of the American Forest & Paper Association, Inc. For information on permission to copy material, please contact:

Copyright Permission  
AF&PA American Wood Council  
1111 Nineteenth St., NW, Suite 800  
Washington, DC 20036  
email: [awcinfo@afandpa.org](mailto:awcinfo@afandpa.org)

Printed in the United States of America

# Table of Contents

<b>INTRODUCTION</b> .....	1
<b>1 GENERAL PROVISIONS</b> .....	3
<b>1.1 SCOPE</b> .....	3
Design Concepts.....	3
<b>1.2 APPLICABILITY</b> .....	5
Building Height.....	5
Building Dimension.....	5
Building Shape.....	5
<b>1.3 FRAMING CONNECTIONS</b> .....	6
<b>2 FOUNDATION ANCHORAGE</b> .....	8
<b>2.1 GENERAL LOADS</b> .....	8
<b>2.2 ANCHOR BOLTS</b> .....	8
<b>2.3 ANCHORAGE AT OPENINGS</b> .....	9
<b>3 FLOORS</b> .....	10
<b>3.1 GENERAL</b> .....	10
<b>3.2 WOOD FLOOR JOIST SYSTEMS</b> .....	10
<b>3.3 WOOD I-JOISTS FLOOR SYSTEMS</b> .....	11
<b>3.4 WOOD FLOOR TRUSS SYSTEMS</b> .....	11
<b>3.5 FLOOR SHEATHING</b> .....	11
<b>3.6 FLOOR BRACING</b> .....	11
<b>4 WALLS</b> .....	12
<b>4.1 GENERAL</b> .....	12
<b>4.2 EXTERIOR WALLS</b> .....	12
<b>4.3 EXTERIOR WALL SHEATHING</b> .....	17
<b>5 ROOFS</b> .....	20
<b>5.1 GENERAL</b> .....	20
<b>5.2 WOOD RAFTER SYSTEMS</b> .....	20
<b>5.3 WOOD I-JOIST ROOF SYSTEMS</b> .....	23
<b>5.4 WOOD ROOF TRUSS SYSTEMS</b> .....	23
<b>5.5 ROOF SHEATHING</b> .....	23
<b>5.6 ROOF BRACING ENDWALL</b> .....	23
<b>GLOSSARY OF TERMS</b> .....	24
<b>CHECKLIST</b> .....	27

**TABLES**

Table 1.	Maximum Building Lengths for Permitted Building Aspect Ratios .....	6
Table 2.	General Nailing Schedule .....	7
Table 3.	Foundation Anchorage Loads .....	8
Table 4.	Anchor Bolt Spacing .....	8
Table 5.	Exterior Wall - Wood Studs .....	12
Table 6.	Top Plate Splice .....	13
Table 7.	Wall Connections at Loadbearing Walls .....	14
Table 8.	Wall Connections for Endwall Assemblies .....	15
Table 9.	Wall Openings – Headers in Loadbearing and Non-Loadbearing Walls .....	16-17
Table 10.	Percentage of Full-Height Sheathing in Minimum Building Dimension (W) .....	18
Table 11.	Percentage of Full-Height Sheathing in Maximum Building Dimension (L) .....	19
Table 12.	Truss, I-Joist, or Rafter Connections at Loadbearing Walls .....	21
Table 13.	Ridge Strap Connections .....	22
Table 14.	Outlooker Connections at Gravity Non-Loadbearing Walls .....	23

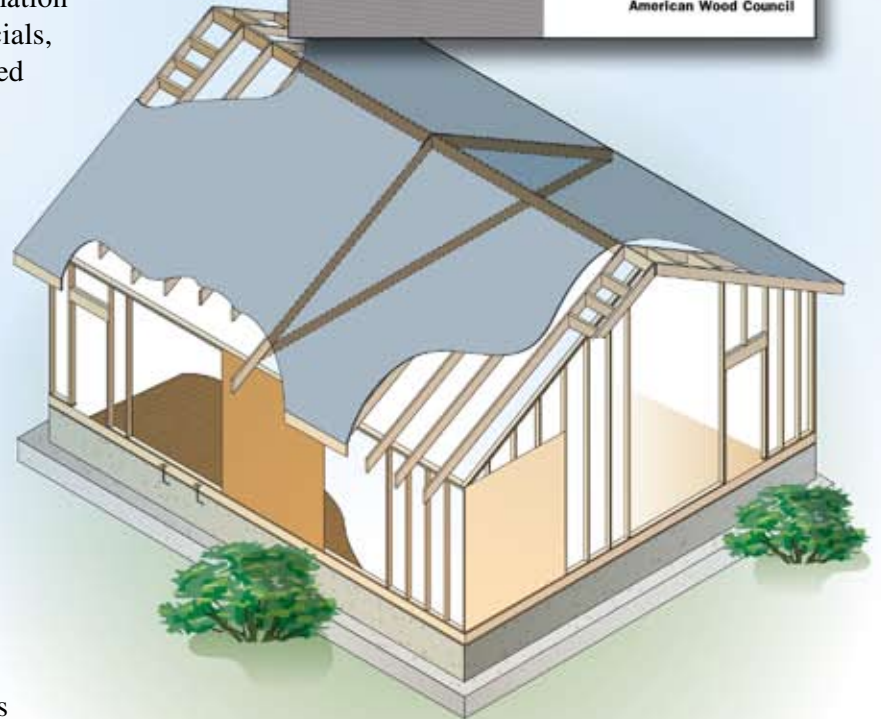
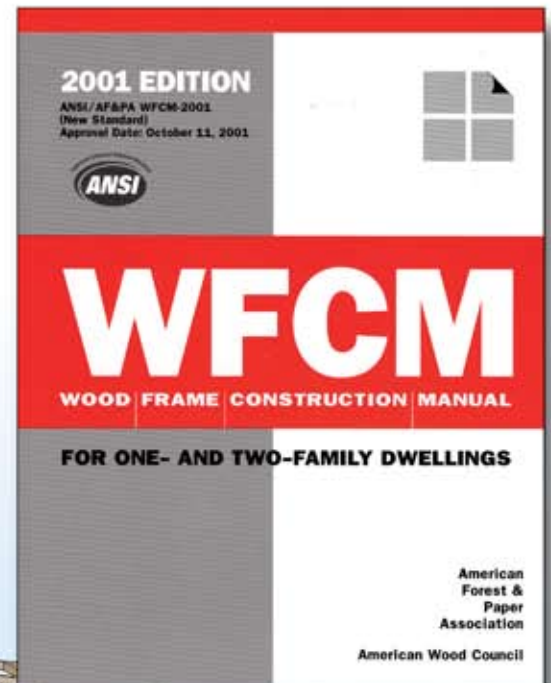
**FIGURES**

Figure 1.	Master Building Frame .....	4
Figure 2.	Mean Roof Height (MRH) .....	5
Figure 3.	Inscribed Building Dimensions .....	5
Figure 4.	Building Aspect Ratios .....	6
Figure 5.	Anchor Bolts Resisting Uplift, Lateral, and Shear Loads .....	9
Figure 6.	Floor Diaphragm Opening Limits .....	10
Figure 7.	Setback Limits for Loadbearing Wall or Shear Wall and Limit on Loadbearing Wall Offset from Support .....	10
Figure 8.	Cantilever with Loadbearing Wall or Shear Wall .....	11
Figure 9.	Floor Bracing .....	11
Figure 10.	Maximum Wall Height and Stud Spacing .....	12
Figure 11.	Ceiling Bracing Gable Endwall .....	13
Figure 12.	Top Plate Intersection Detail .....	13
Figure 13.	Top Plate Splice Length .....	13
Figure 14.	Story-To-Story Uplift and Lateral Connections .....	14
Figure 15.	Full-Height Gable Endwall Stud .....	15
Figure 16.	Rake Truss .....	15
Figure 17.	Studs and Headers Around Wall Openings .....	16
Figure 18a.	Corner Stud Hold Down Detail – 3 Studs With Blocking .....	18
Figure 18b.	Corner Stud Hold Down Detail – 4 Studs .....	19
Figure 19.	Roof Systems .....	20
Figure 20.	Rafter Outlooker Details .....	22

# Introduction

The purpose of this *Guide to Wood Construction in High Wind Areas: 110 MPH Exposure B Wind Zone (Guide)* is to simplify the construction and design of wood frame buildings in areas where design wind velocity requirements do not exceed 110 miles per hour Exposure Category B. This Guide is in compliance with the building code-referenced ANSI/AF&PA 2001 *Wood Frame Construction Manual (WFCM) for One- and Two-Family Dwellings*. Accordingly, any designs in compliance with this Guide should also be in full compliance with the *WFCM*. The provisions of this Guide focus on ensuring structural integrity for resisting wind loads. This Guide does not specifically address other loading conditions such as those created by live, seismic (earthquake), snow, or flood loads. These additional loading conditions must be considered as required by the building code and are addressed in the *WFCM*.

The information in this Guide offers information to architects, builders, designers, code officials, instructors and others interested in simplified design. It is not the intent of this Guide to instruct on all aspects or techniques of proper framing or design. In developing the provisions of this Guide using provisions of the *WFCM*, the most reliable data available from laboratory tests and experience with structures in service have been carefully analyzed and evaluated for the purpose of providing a consistent standard of practice. It is intended that this document be used in conjunction with competent engineering design, accurate fabrication, and adequate supervision of construction. Therefore, AF&PA does not assume any responsibility for errors or omissions in this Guide, the *WFCM*, nor for engineering designs or plans prepared from it.



This page left blank intentionally.



# 1 General Provisions

## 1.1 SCOPE

*This Guide to Wood Construction in High Wind Areas: 110 MPH Exposure B Wind Zone (Guide)* establishes a specific set of prescriptive, wind-resistive structural requirements for one- and two-family wood-frame residential buildings of sizes and shapes specified in the “Applicability” section (1.2) of this chapter. The provisions of this Guide are directed toward ensuring structural integrity for resisting wind loads. In addition, provisions of this Guide are derived from the wind provisions found in the ANSI/AF&PA 2001 *Wood Frame Construction Manual (WFCM) for One- and Two-Family Dwellings*.

Wind load requirements of this Guide are based on 110 mile per hour, 3-second-gust wind speeds for Exposure B locations. Buildings located in Exposure C shall be designed in accordance with the *WFCM*.

Structural elements not complying with the conditions contained in this Guide shall be designed in accordance with the *WFCM* or the governing building code.

The provisions of this Guide are not intended to preclude the use of other materials or methods of construction. When alternative methods or materials are used, design loads and capacities shall be determined in accordance with the *WFCM* or the governing building code.

Tabulated values in this Guide shall be permitted to be interpolated unless otherwise noted in the applicable table footnotes.

### Design Concepts

This Guide relies on the following concepts:

- Roofs, ceilings and floors are designed as diaphragms, which receive lateral loads from roof and exterior walls (assuming the wind blowing from any direction) and transfer these loads to shear walls.
- Exterior walls are designed to resist wind forces and transfer the lateral forces to diaphragms. Exterior walls, foundations, and connections shall be designed to resist lateral and uplift loads received from the roof by means of a continuous load path. Exterior walls are designed to resist wind loads assuming flexible finishes.
- Except for openings, exterior walls are designed as entirely sheathed with wood structural panels or structural fiberboard panels, including areas above and/or below openings.
- Openings shall not exceed nominal 6'-8" in height.
  - Exception: Opening heights of up to 8' shall be permitted when 5% is added to the percent full-height sheathing requirements in Tables 10 and 11 (See pages 18 and 19).
- The tabulated wind requirements in this document are based on fully enclosed buildings where openings are designed for the appropriate wind loads. Where required by the governing building code, protection of openings shall be provided to maintain a fully enclosed building envelope.
- The foundation provisions specified in this Guide are limited to the attachment of the building to the foundation. An adequate foundation system shall be provided to resist all required loads. Engineered and prescriptive design of the foundation for gravity, lateral, and uplift loads, including uplift and hold down anchorage, shall be provided in accordance with the governing building code.

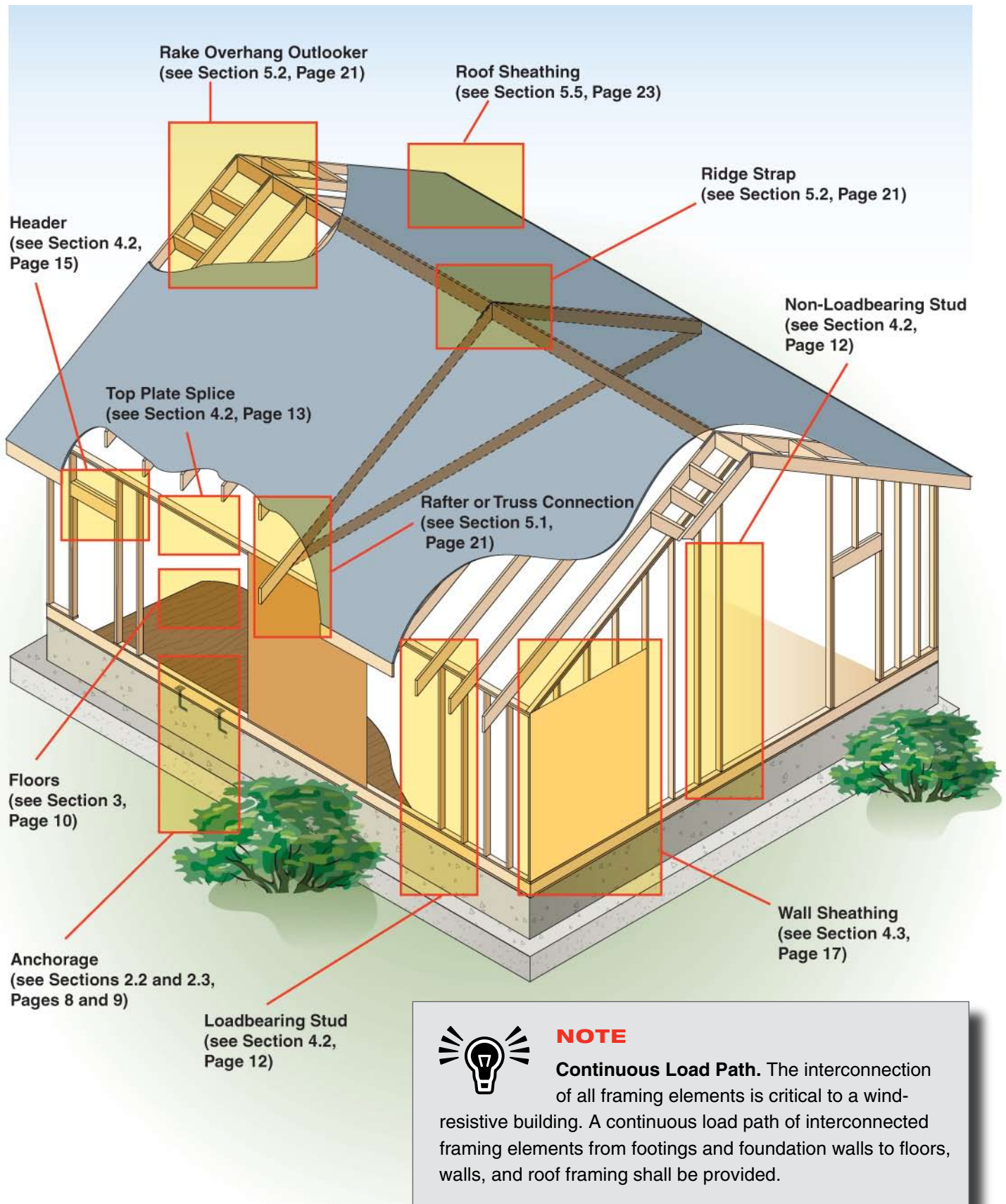


Figure 1. Master Building Frame (For Illustrative Purposes Only)

## 1.2 APPLICABILITY

### Building Height

The building shall not exceed two stories or a mean roof height of 33 feet, measured from average grade to average roof elevation (See Figure 2).

For purposes of determining uplift and lateral bracing requirements, the roof shall be considered an additional story when the roof slope exceeds 6 in 12. The maximum roof slope is 12 in 12.

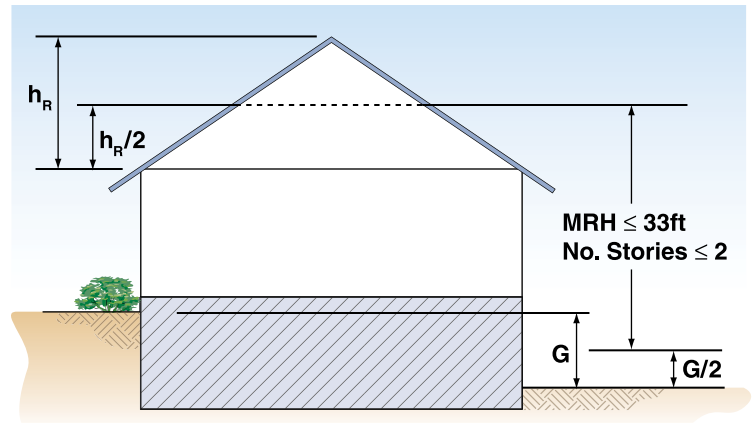


Figure 2. Mean Roof Height (MRH)

### Building Dimension

- The maximum building dimension (L) shall not be greater than 80 feet.
- The minimum building dimension (W) shall not be greater than 80 feet.
- The maximum span (horizontal projection) of the roof trusses or rafters covered under the scope of this Guide are limited to 36 feet; however, combinations of these systems can be used for a total inscribed dimension of 80 feet.

### Building Shape

■ **Rectangular Buildings.** Design provisions in this Guide assume that buildings are rectangular in shape. Walls shall be permitted to be offset by a maximum of 4 ft. (such as projecting bays, inset porches, or other irregular shapes) without requiring detailing.

■ **Non-rectangular Buildings.** In this Guide, non-rectangular buildings are designed as a rectangular building with dimensions that inscribe the non-rectangular building for purposes of determining lateral resistance requirements (See Figure 3).

- ❑ Aspect ratios for these buildings shall be calculated as shown in Table 1 (page 6) and Figure 4.
- ❑ The longest inscribed building dimension shall be assumed to be the building length, L, and the shortest inscribed building dimension shall be assumed to be the building width, W.
- ❑ The required length of full-height exterior sheathing in Section 4.3 is to be distributed in each wall line segment in proportion to the segment length divided by the overall building dimension. Hold downs shall be placed at each end of wall line segments.
- ❑ For conditions where non-rectangular buildings must be designed as separate structures joined at common walls, the *WFCM* should be used.

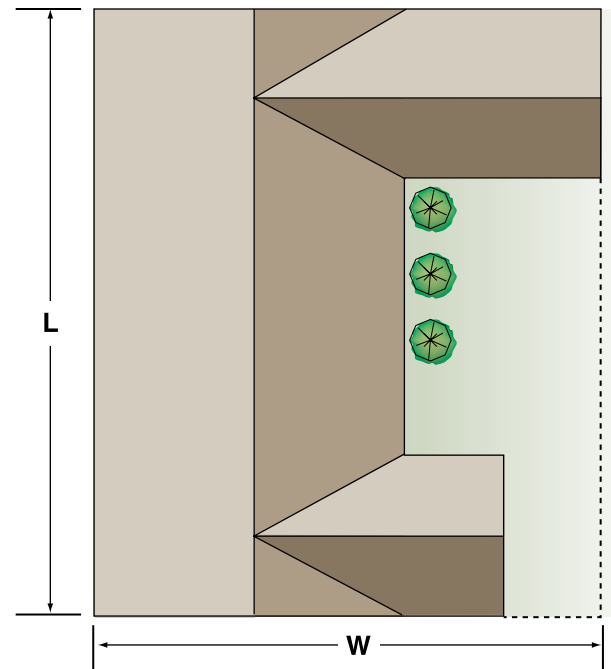


Figure 3. Inscribed Building Dimensions

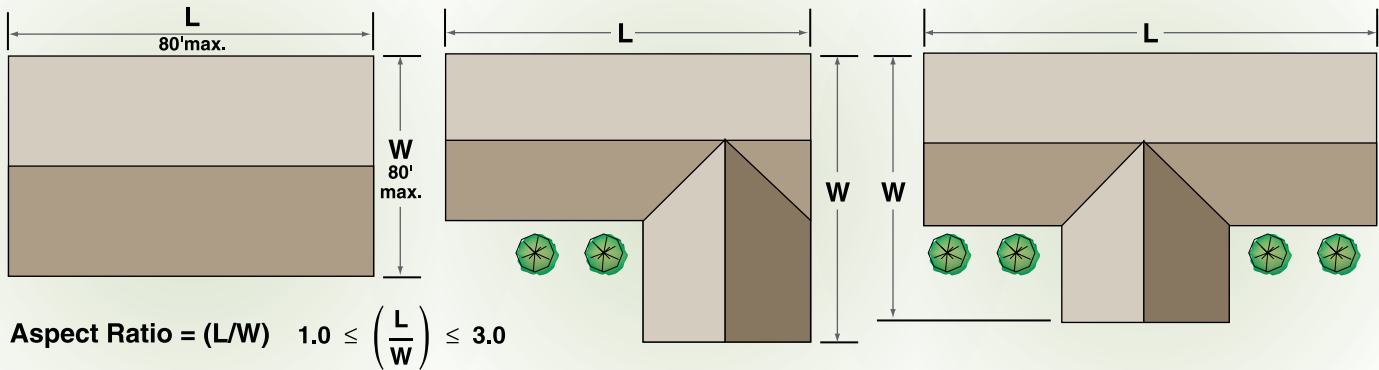


Figure 4. Building Aspect Ratios

Table 1. Maximum Building Lengths for Permitted Building Aspect Ratios

	Building Aspect Ratio (L/W)								
	1.00	1.25	1.50	1.75	2.00	2.25	2.50	2.75	3.00
Building Width, W (ft.)	Maximum Building Length, L (ft.)								
12	12	15	18	21	24	27	30	33	36
16	16	20	24	28	32	36	40	44	48
20	20	25	30	35	40	45	50	55	60
24	24	30	36	42	48	54	60	66	72
28	28	35	42	49	56	63	70	77	80
32	32	40	48	56	64	72	80	80	—
36	36	45	54	63	72	80	—	—	—
40	40	50	60	70	80	—	—	—	—
50	50	62	75	80	—	—	—	—	—
60	60	75	80	—	—	—	—	—	—
70	70	80	—	—	—	—	—	—	—
80	80	—	—	—	—	—	—	—	—

### 1.3 FRAMING CONNECTIONS

General framing connections shall be in accordance with the requirements of Table 2. Specific connections required for wind-resistant construction are provided with the assembly descriptions in other sections of this Guide. Where more restrictive connection requirements exist in the building code for other loading conditions, such as for gravity or seismic resistance, they shall apply.

Table 2. General Nailing Schedule

Joint Description	Number of Common Nails	Number of Box Nails	Nail Spacing
<b>Roof Framing</b>			
Blocking to Rafter (Toe-nailed)	2- 8d	2-10d	each end
Rim Board to Rafter (End-nailed)	2-16d	3-16d	each end
<b>Wall Framing</b>			
Top Plates at Intersections (Face-nailed)	4-16d	5-16d	at joints
Stud to Stud (Face-nailed)	2-16d	2-16d	24" o.c.
Header to Header (Face-nailed)	16d	16d	16" o.c. along edges
<b>Floor Framing</b>			
Joist to Sill, Top Plate or Girder (Toe-nailed) (Fig. 14)	4- 8d	4-10d	per joist
Blocking to Joist (Toe-nailed)	2- 8d	2-10d	each end
Blocking to Sill or Top Plate (Toe-nailed)	3-16d	4-16d	each block
Ledger Strip to Beam or Girder (Face-nailed)	3-16d	4-16d	each joist
Joist on Ledger to Beam (Toe-nailed)	3- 8d	3-10d	per joist
Band Joist to Joist (End-nailed) (Fig. 14)	3-16d	4-16d	per joist
Band Joist to Sill or Top Plate (Toe-nailed) (Fig. 14)	2-16d	3-16d	per foot
<b>Roof Sheathing</b>			
Wood Structural Panels			
rafters or trusses spaced up to 16" o.c.	8d	10d	6" edge / 6" field
rafters or trusses spaced over 16" o.c.	8d	10d	4" edge / 4" field
gable endwall rake or rake truss w/o gable overhang	8d	10d	6" edge / 6" field
gable endwall rake or rake truss w/ structural outlookers	8d	10d	6" edge / 6" field
gable endwall rake or rake truss w/ lookout blocks	8d	10d	4" edge / 4" field
<b>Ceiling Sheathing</b>			
Gypsum Wallboard	5d coolers	-	7" edge / 10" field
<b>Wall Sheathing</b>			
Wood Structural Panels			
studs spaced up to 24" o.c.	8d	10d	6" edge / 12" field
1/2" and 25/32" Fiberboard Panels	8d <sup>1</sup>	-	3" edge / 6" field
1/2" Gypsum Wallboard	5d coolers	-	7" edge / 10" field
<b>Floor Sheathing</b>			
Wood Structural Panels			
1" or less	8d	10d	6" edge / 12" field
greater than 1"	10d	16d	6" edge / 6" field

<sup>1</sup> Corrosion resistant 11 gage roofing nails and 16 gage staples are permitted, check IBC for additional requirements.

**Nails.** Unless otherwise stated, sizes given for nails are common wire sizes. Box and pneumatic nails of equivalent diameter and equal or greater length to the specified common nails may be substituted unless otherwise prohibited.



## 2 Foundation Anchorage

### 2.1 GENERAL LOADS

The house shall be anchored to the foundation system to resist the loads in Table 3 and the hold down requirement in Section 4.3. For pile and girder foundation systems or pier and beam foundation systems that support the floor joists on top of the girder or beam, the Stemwall Foundation loads in Table 3 shall be used. When the floor joists are hung on the sides of the girder or beam with proprietary joist hangers, the Slab-on-Grade loads in Table 3 shall be used. Ledgers are not permitted.

Table 3. Foundation Anchorage Loads

Raised-Floor Foundation Supporting:	Uplift <sup>1</sup> (plf)	Lateral (plf)	Stemwall Foundations <sup>2</sup>									Slab-on-Grade Foundations <sup>3</sup>
			Building Aspect Ratio (L/W)									
			1.00	1.25	1.50	1.75	2.00	2.25	2.50	2.75	3.00	
			Shear (plf)									
Roof, Ceiling, and One Floor	217	132	201	252	302	352	403	453	503	553	604	730
Roof, Ceiling, and Two Floors	157	132	316	395	474	553	633	712	791	870	949	730

<sup>1</sup> For non-loadbearing walls, uplift connections need not exceed 60 plf.

<sup>2</sup> Shear connection requirements in the maximum building dimension (L) need not exceed the tabulated values for L/W=1.00.

<sup>3</sup> Shear connection requirements are based on a required sheathing nail spacing of 3" o.c. in Tables 10-11. For reduced wood structural panel sheathing nailing requirements of 4" and 6" o.c. and for fiberboard sheathing, the shear loads can be reduced.

### 2.2 ANCHOR BOLTS

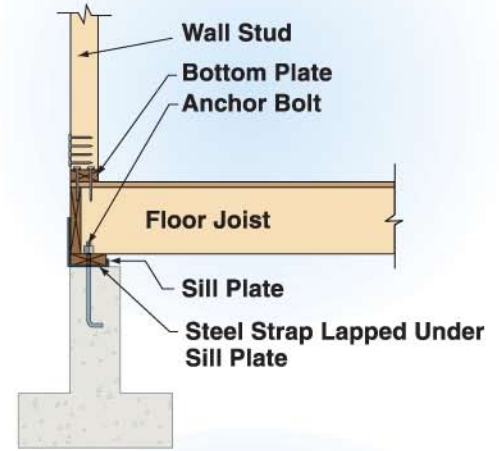
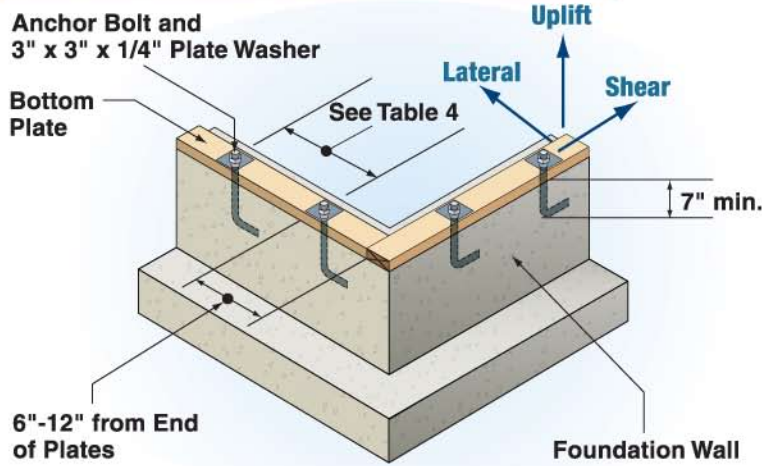
Where 5/8" anchor bolts are used to resist uplift, lateral, and shear loads provided in Table 3, the anchor bolts shall be installed per Table 4 using 3" x 3" x 1/4" plate washers (See Figure 5).

Table 4. Anchor Bolt Spacings

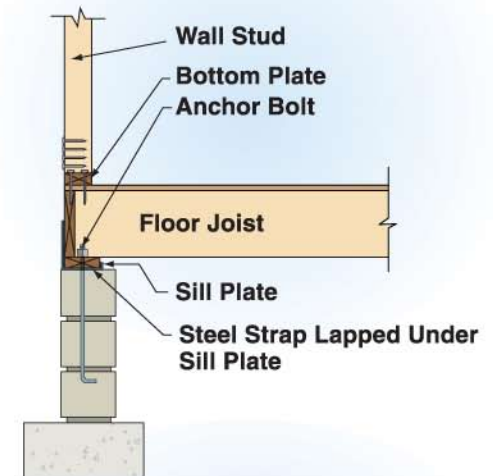
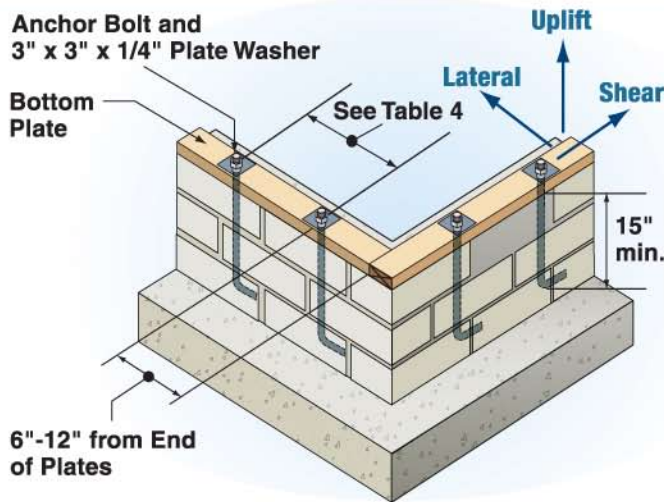
Raised-Floor Foundation Supporting:	Stemwall Foundations <sup>1</sup>									Slab-on-Grade Foundations
	Building Aspect Ratio (L/W)									
	1.00	1.25	1.50	1.75	2.00	2.25	2.50	2.75	3.00	
	5/8" Anchor Bolt Spacing (in.)									
Roof, Ceiling, and One Floor	72	71	59	51	44	39	35	32	30	24
Roof, Ceiling, and Two Floors	56	45	38	32	28	25	23	21	19	24

<sup>1</sup> The anchor bolt spacing in the maximum building dimension (L) need not be less than the tabulated spacing for L/W=1.00.

### Concrete Basement or Stemwall Foundation



### Concrete Masonry Unit Basement or Stemwall Foundation



### Slab-On-Grade Foundation

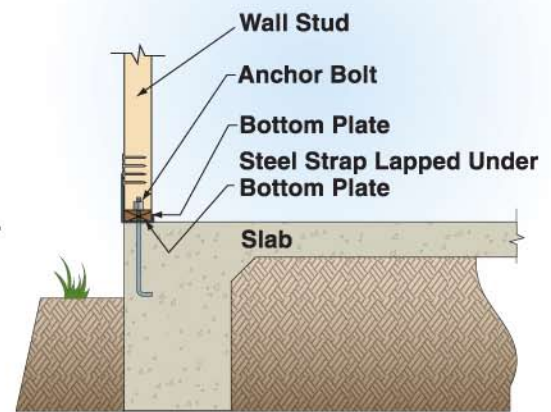
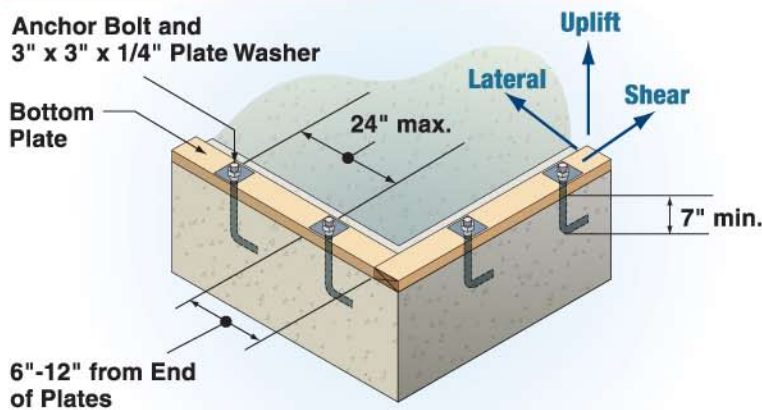


Figure 5. Anchor Bolts Resisting Uplift, Lateral, and Shear Loads.

## 2.3 ANCHORAGE AT OPENINGS

Additional anchorage shall be installed on each side of an opening to resist the loads in Table 9 (page 16 and 17).

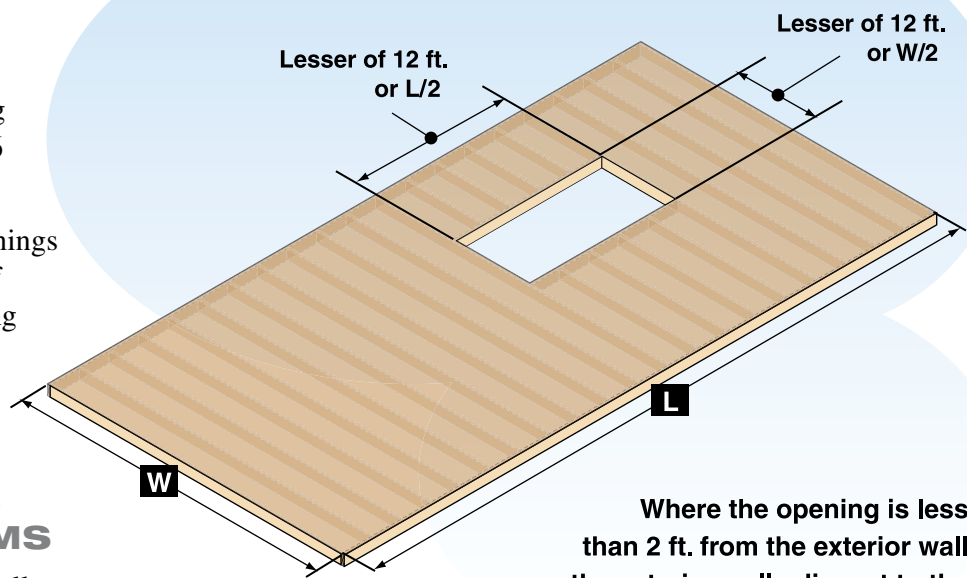
# 3 Floors

## 3.1 GENERAL

### ■ Framing Member Span.

Single spans of floor framing members shall not exceed 26 feet.

- **Floor Openings.** Floor openings shall not exceed the lesser of 12 feet or 50% of the building dimension (See Figure 6).



Where the opening is less than 2 ft. from the exterior wall, the exterior wall adjacent to the opening shall be framed using full height studs

## 3.2 WOOD FLOOR JOIST SYSTEMS

- **Floor Joists.** Floor joists shall be sized in accordance with the governing building code.

### ■ Floor Joists That Support Loadbearing Walls.

Loadbearing walls parallel to joists shall be directly supported by beams, girders, or other loadbearing walls. Loadbearing walls perpendicular to joists shall not be offset from supporting girders, beams, or other loadbearing walls by more than the depth of the joists (See Figure 7).

- **Cantilevered Floor Joists.** Lumber joists shall be located directly over studs except at beams and headers.

Figure 6. Floor Diaphragm Opening Limits

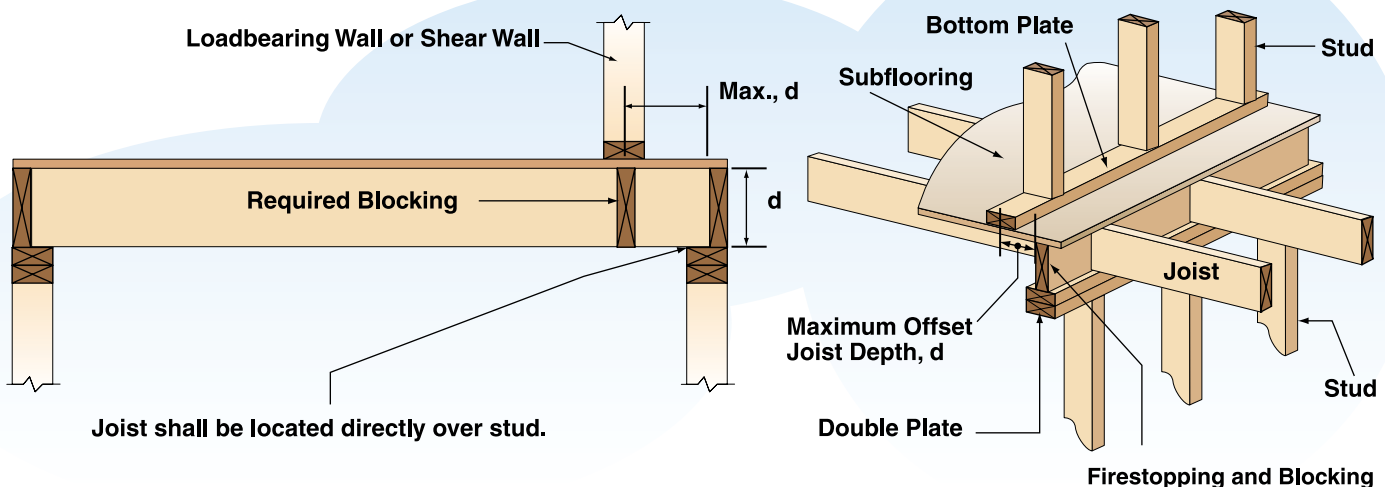


Figure 7. Setback Limits for Loadbearing Wall or Shear Wall and Limit on Loadbearing Wall Offset from Support



- **Cantilevered Floor Joists that Support Loadbearing or Shear Wall.** Overhang lengths of cantilevered floor joists supporting a loadbearing or shear wall at the end of the cantilever shall be limited to the depth,  $d$ , of the joists (See Figure 8).

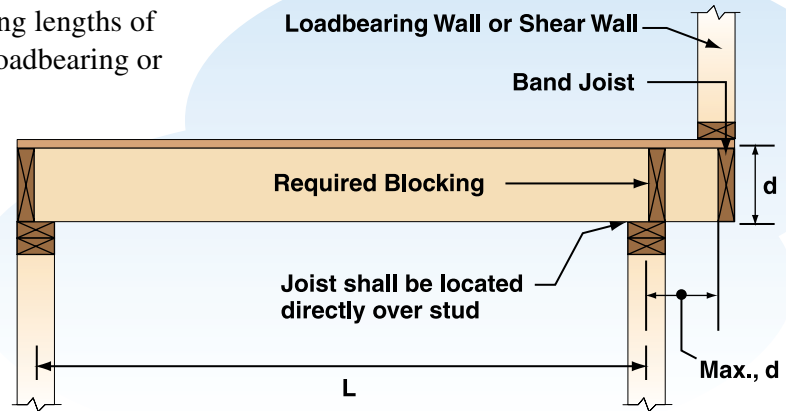


Figure 8. Cantilever with Loadbearing Wall or Shear Wall

### 3.3 WOOD I-JOIST FLOOR SYSTEMS

Wood I-joist floor systems shall comply with requirements set forth in the manufacturer's code evaluation report.

### 3.4 WOOD FLOOR TRUSS SYSTEMS

Wood floor truss systems shall be manufactured and installed in accordance with *ANSI/TPI 1 National Design Standard for Metal Plate Connected Wood Truss Construction*, the truss design drawings, and/or the manufacturer's code evaluation report.

### 3.5 FLOOR SHEATHING

Floors shall be sheathed in accordance with the governing building code.

### 3.6 FLOOR BRACING

Blocking and connections shall be provided at panel edges perpendicular to floor framing members in the first two truss or joist spaces and shall be spaced at a maximum of 4 feet on center (See Figure 9). Nailing requirements are given in Table 2 (See page 7).

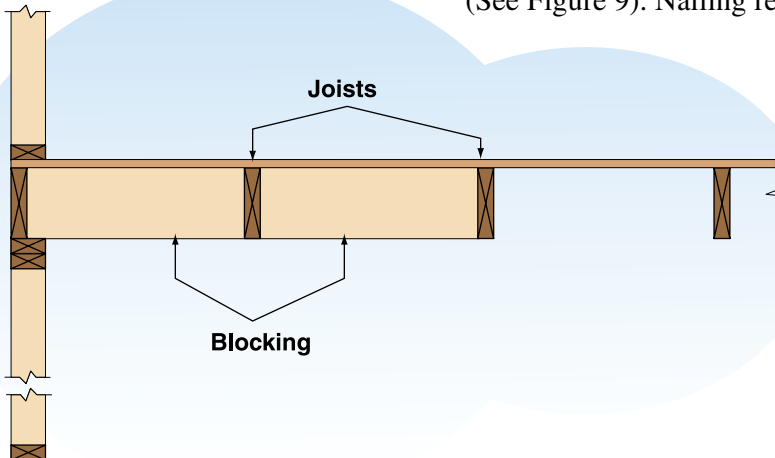


Figure 9. Floor Bracing

# 4 Walls

## 4.1 GENERAL

- **Wall Heights.** Loadbearing walls shall not exceed 10 feet in height. Non-loadbearing walls shall not exceed 20 feet in height (See Figure 10).
- **Wall Stud Spacing.** Wall stud spacing shall not exceed 24 inches on center (See Figure 10).
- **Wall Story Offsets.** Upper story wall segments shall not be offset from lower story wall segments by more than the depth, d, of the floor framing members (See Figures 7 and 8).

## 4.2 EXTERIOR WALLS

- **Wood Studs.** Wall studs of #2 or Stud grade lumber (including Douglas Fir-Larch, Hem Fir, Southern Pine, and Spruce-Pine-Fir) shall not exceed the maximum lengths specified in Table 5 (See Figure 10).

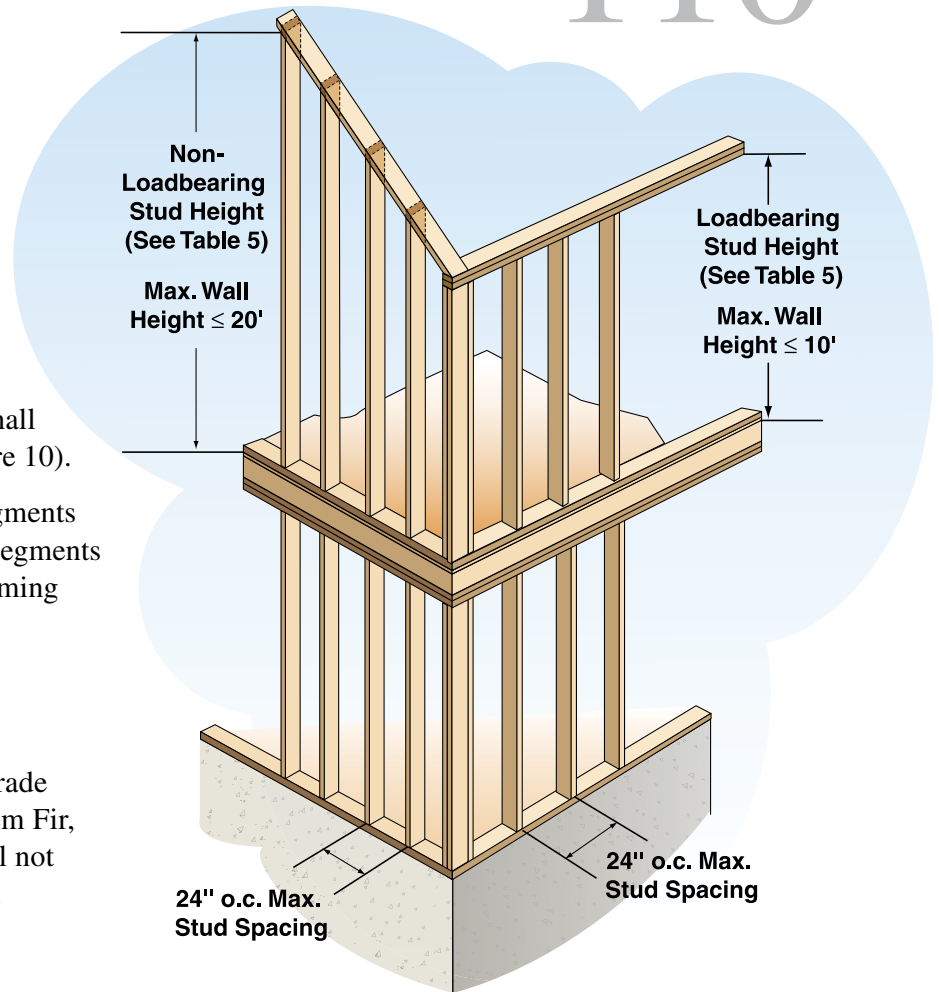


Figure 10. Maximum Wall and Stud Height and Stud Spacing

Table 5. Exterior Wall - Wood Studs

		2x4		2x6		2x8		
		Stud Grade						
		#2	Stud	#2	Stud	#2	Stud	
Exterior Studs	Stud Spacing	Maximum Stud Length						
		12" o.c.	12' - 8"	11' - 3"	19' - 9"	17' - 0"	19' - 9"	19' - 9"
		16" o.c.	11' - 5"	9' - 8"	18' - 5"	14' - 6"	19' - 9"	18' - 9"
	24" o.c.	9' - 11"	7' - 9"	15' - 6"	11' - 8"	19' - 9"	15' - 1"	
Loadbearing Studs Supporting Roof and Ceiling Only	12" o.c.	9' - 9"	9' - 9"	9' - 9"		9' - 9"		
	16" o.c.	9' - 9"	9' - 8"					
	24" o.c.	9' - 9"	7' - 9"					
Loadbearing Studs Supporting Roof, Ceiling, and 1 Floor Only	12" o.c.	9' - 9"	9' - 9"	9' - 9"		9' - 9"		
	16" o.c.	9' - 9"	9' - 8"					
	24" o.c.	NP						

NP= Not Permitted

■ **Stud Continuity.** Studs shall be continuous between horizontal supports, including but not limited to: headers, girders, floor diaphragm assemblies, ceiling diaphragm assemblies, and roof diaphragm assemblies. Studs in gable endwalls adjacent to cathedral ceilings shall be continuous from the uppermost floor to the ceiling diaphragm or to the roof diaphragm.

■ **Bracing Gable End Walls.** When attic floor or ceiling assemblies are used to brace gable endwalls, the assemblies shall extend from the endwall for a distance of at least 1/3 of the building width when using wood structural panels and for a distance of at least 90% of the building width when using gypsum wallboard ceilings. Sheathing and fasteners shall be as specified in Table 2 (See page 7) and Figure 11.

■ **Top Plates.** Double top plates shall be provided at the top of all exterior stud walls. The double plates shall overlap at corners and at intersections with other exterior or interior loadbearing walls (See Figure 12). Double top plates shall be lap-spliced with end joints offset in accordance with the minimum requirements given in Table 6 (See Figure 13).

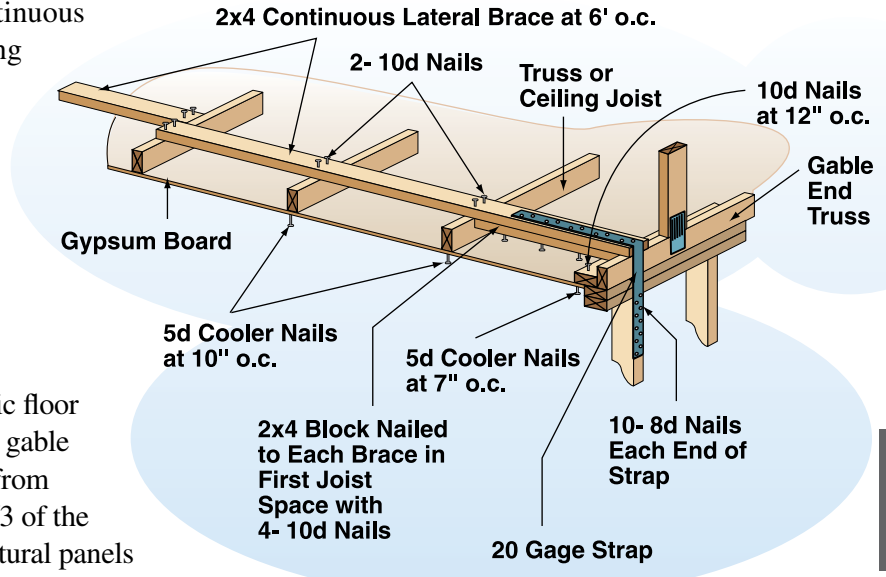


Figure 11. Ceiling Bracing Gable Endwall

Figure 12. Top Plate Intersection Detail

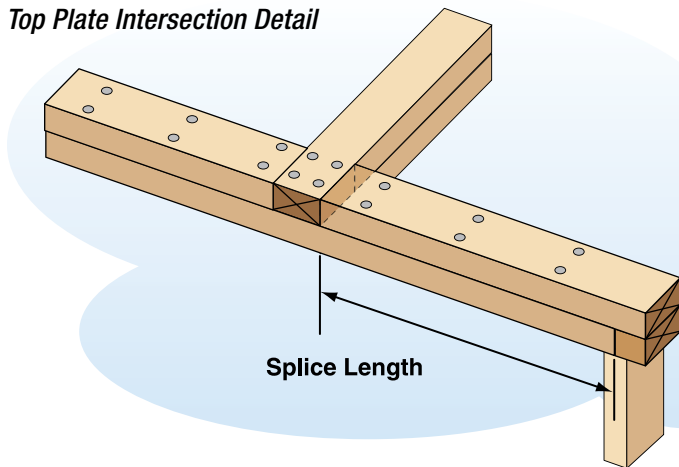


Figure 13. Top Plate Splice Length

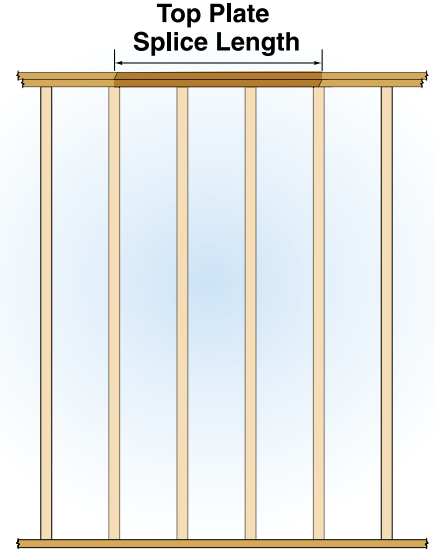


Table 6. Top Plate Splice

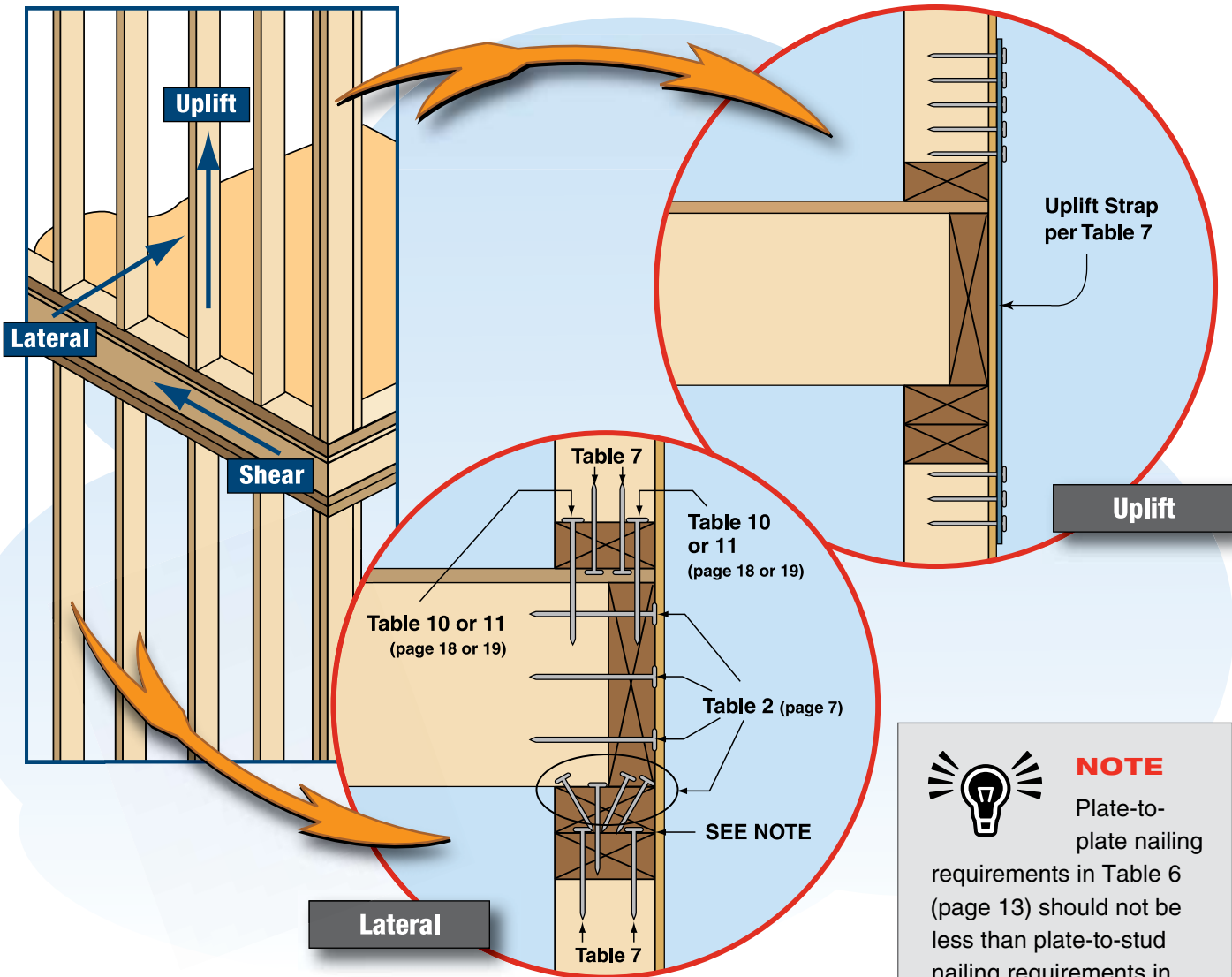
Building Dimension of Wall Containing Top Plate Splice (ft.)												
Splice Length (ft.)	12	16	20	24	28	32	36	40	50	60	70	80
Number of 16d Common Nails per Each Side of Splice												
2	4	6	8	8	NP	NP	NP	NP	NP	NP	NP	NP
4	4	6	7	8	10	12	14	16	NP	NP	NP	NP
6	4	6	7	8	10	12	14	16	20	24	NP	NP
8	4	6	7	8	10	12	14	16	20	24	28	32

NP= Not Permitted

■ **Wall Assembly to Wall Assembly Connections.** Story-to-story connections from upper story wall studs to lower story wall studs shall be in accordance with the requirements of Table 7 (See Figure 14). When upper story wall studs are not located directly above lower story wall studs, the studs shall be attached to a common member in the floor assembly with connections in accordance with Table 7.

Table 7. Wall Connections at Loadbearing Walls

Stud Spacing	Roof Framing Span (ft.)							Lateral
	12	16	20	24	28	32	36	No. of 16d Common Nails (Endnailed)
	Uplift (lb.)							
12" o.c.	67	92	117	142	167	192	217	2
16" o.c.	90	123	156	189	223	256	290	2
24" o.c.	135	184	234	284	334	384	434	2



**NOTE**

Plate-to-plate nailing requirements in Table 6 (page 13) should not be less than plate-to-stud nailing requirements in Tables 7 and 8.

Figure 14. Story-to-Story Uplift and Lateral Connections

- **Endwall Assemblies.** Rake overhang-to-wall, wall-to-wall, and wall-to-foundation connections shall be in accordance with the requirements given in Table 8 (See Figures 15 and 16). Walls which do not support the roof assembly and are attached in accordance with Table 2 (page 7) need no additional uplift connections. Where gable end rake trusses are used, rake truss-to-stud connections shall resist the uplift and lateral loads provided by the truss designer.

Table 8. Wall Connections for Endwall Assemblies

Stud Spacing	Uplift (lb)	Wall Height (ft.)						
		8	10	12	14	16	18	20
Plate-to-Stud - No. of 16d Common Nails – (Endnailed)								
12" o.c.	127	2	2	2	2	2	2	2
16" o.c.	169	2	2	2	2	2	2	2
24" o.c.	253	2	2	2	3	3	3	4

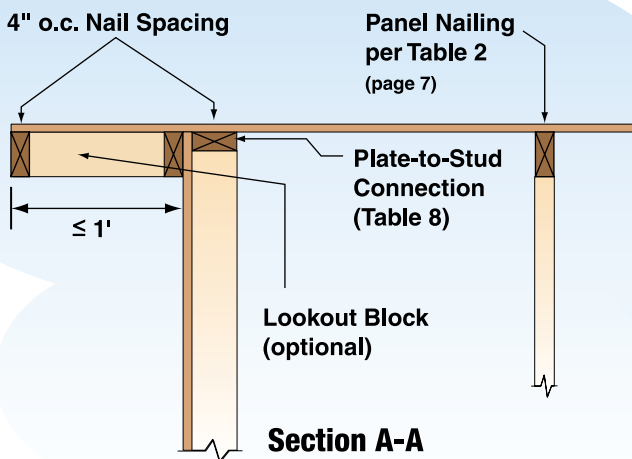


Figure 15. Full-Height Gable Endwall Stud

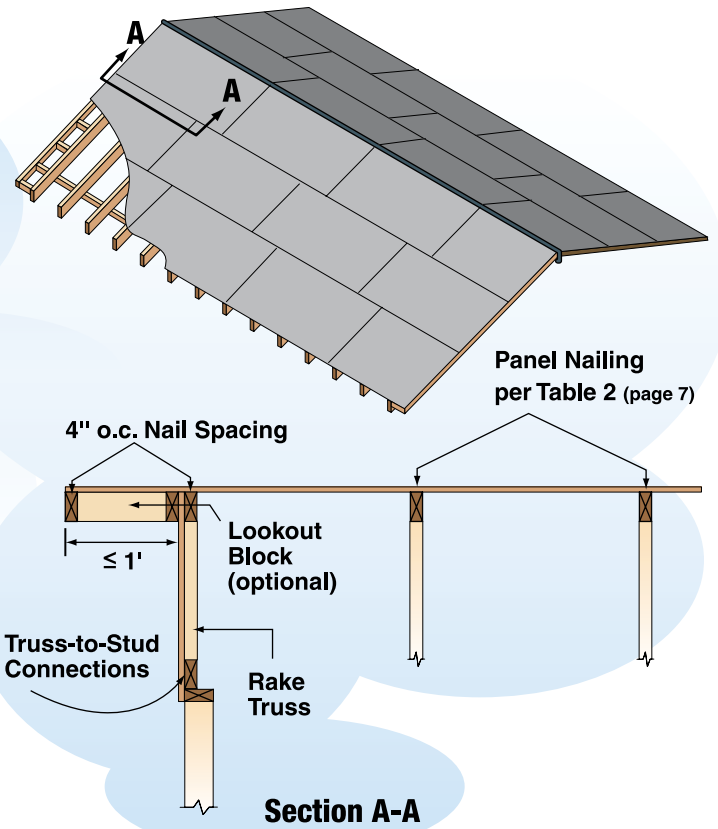


Figure 16. Rake Truss

- **Wall Openings.** Headers shall be provided over all exterior wall openings. Headers shall be supported by wall studs, jack studs, hangers, or framing anchors (See Figure 17).
- **Headers.** Headers shall be sized for gravity loads in accordance with the governing building code. Exterior wall header spans for #2 grade lumber (including Douglas-Fir-Larch, Hem-Fir, Southern Pine, and Spruce-Pine-Fir) shall not exceed the limits in Table 9 (See page 16).

- **Full Height Studs.** Full height studs shall meet the same requirements as exterior wall studs selected in Table 5 (See page 12). The minimum number of full height studs at each end of the header shall not be less than half the number of studs replaced by the opening, in accordance with Table 9. Full height studs shall be permitted to replace an equivalent number of jack studs, when adequate gravity connections are provided.
- **Window Sill Plates.** Maximum spans for window sill plates used in exterior walls shall not exceed the spans given in Table 9.
- **Connections around Wall Openings.**
  - **Header and/or Girder to Stud Connections.** Headers and/or girder to stud connections shall be in accordance with the requirements given in Table 9. Window sill plate to stud connections shall be in accordance with the requirements given in Table 9.
  - **Top and Bottom Plate to Full Height Studs.** Each full height stud shall be connected in accordance with the requirements given in Table 9.

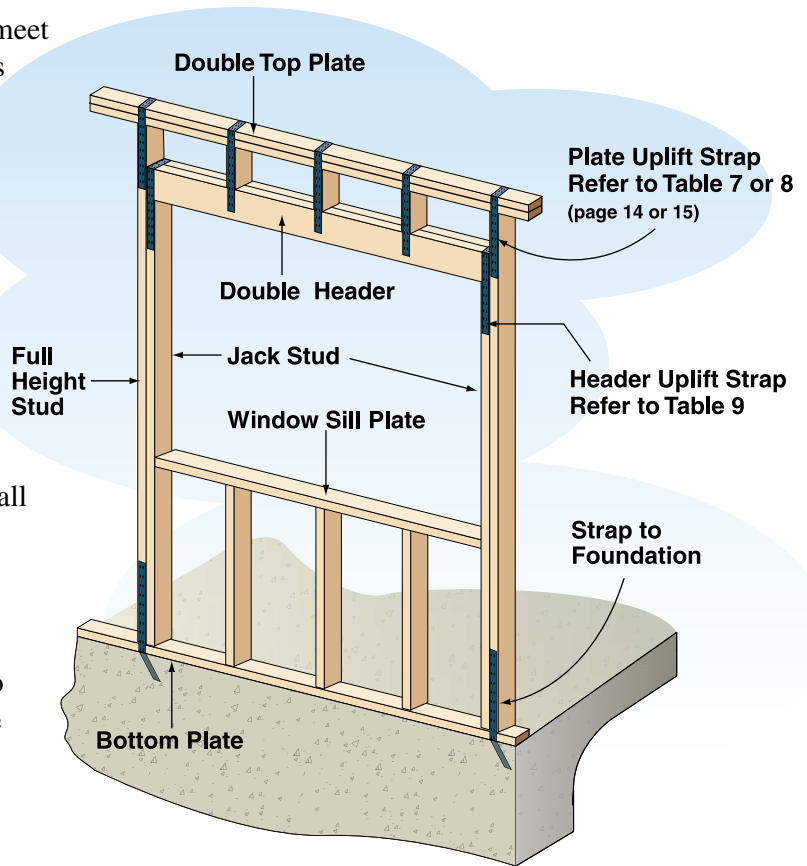


Figure 17. Studs and Headers Around Wall Openings

Table 9. Wall Openings – Headers in Loadbearing Walls

Header Span (ft.)	Minimum Header Size	Requirements at Each End of Header		
		Number of Full-Height Studs	Uplift (lb.)	Lateral (lb.)
<b>Headers in Loadbearing Walls</b>				
2	2 - 2x4	1	277	132
3	2 - 2x4	2	416	198
4	2 - 2x4	2	554	264
5	2 - 2x4	3	693	330
6	2 - 2x6	3	831	396
7	2 - 2x8	3	970	462
8	2 - 2x12	3	1,108	528
9	3 - 2x10	3	1,247	594
10	3 - 2x12	4	1,385	660
11	4 - 2x10	4	1,524	726

Table 9. Wall Openings – Headers in Non-Loadbearing Walls (continued)

Header Span (ft.)	Minimum Header Size	Requirements at Each End of Header		
		Number of Full-Height Studs	Uplift (lb.)	Lateral (lb.)
<b>Headers in Non-Loadbearing Walls and Window Sill Plates<sup>1</sup></b>				
2	1 - 2x4 (flat)	1	60	132
3	1 - 2x4 (flat)	2	90	198
4	1 - 2x4 (flat)	2	120	264
5	1 - 2x4 (flat)	3	150	330
6	1 - 2x6 (flat)	3	180	396
7	1 - 2x6 (flat)	3	210	462
8	1 - 2x6 (flat)	3	240	528
9	2 - 2x6 (flat)	3	270	594
10	2 - 2x6 (flat)	4	300	660
11	2 - 2x6 (flat)	4	330	726
12	2 - 2x6 (flat)	5	360	792

<sup>1</sup> For non-loading bearing walls and window sill plates, 2 -2x4 (flat) can be substituted for 1 -2x6 (flat)

### 4.3 EXTERIOR WALL SHEATHING

- **Exterior Wall Sheathing.** Exterior walls shall be sheathed with a minimum of 7/16" wood structural panel sheathing or 1/2" cellulosic fiberboard sheathing and attached per Table 2 (page 7) when studs are spaced 16" o.c. or less. When studs are spaced greater than 16" o.c., 15/32" or greater wood structural panel sheathing shall be used. The minimum required percentage of full-height sheathing in the wall lines is provided in Tables 10 and 11 (pages 18 and 19). To meet the requirements for percentage full-height sheathing, a full-height wall segment shall not be less than 27-1/2" in an 8' wall, 31" in a 9' wall, or 34" in a 10' wall (aspect ratio ≤ 3-1/2:1). Exterior sheathing shall be continuous from the bottom plate to the upper top plate, with all panel edges over framing.
- **Hold Downs.** Hold downs with a capacity in accordance with Table 10 or 11 (page 18 or 19) are required in the full-height segment at each end of a wall line. When full height segments meet at a corner, a single hold down shall be permitted to be used to resist the overturning forces in both directions when sized to resist the larger load and the corner framing in the adjoining walls is fastened together to transfer the uplift load (See Figures 18a and 18b). A continuous load path must be maintained to the foundation. Where hold downs on a top floor align with hold downs on a lower floor, the combined capacity of the two hold downs must be resisted by anchorage to the foundation.
- **Exterior Wall Cladding.** Exterior wall cladding shall be rated for a 110 mph Exposure B 3-second gust wind speed and be installed per the manufacturer's instructions.

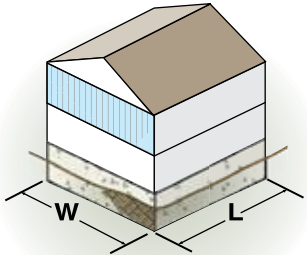
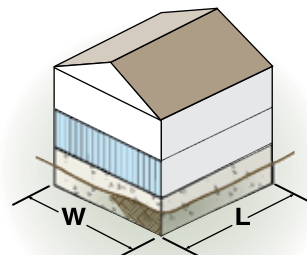


110 MPH EXPOSURE B WIND ZONE

Table 10. Percentage of Full-Height Sheathing in Minimum Building Dimension (W)

Exterior Sheathing Type	Wood Structural Panel Sheathing			Fiberboard Sheathing	
	7/16"			1/2"	25/32"
Nail Type	8d Common	8d Common	8d Common	8d Roofing	8d Roofing
Edge Nail Spacing	6" o.c.	4" o.c.	3" o.c.	3" o.c.	3" o.c.
Field Nail Spacing	12" o.c.	12" o.c.	12" o.c.	6" o.c.	6" o.c.
Bottom Plate-to-Frame Shear Connection (16d Common Nails)	436 plf (3 / ft.)	590 plf (3 / ft.)	730 plf (4 / ft.)	225 plf (2 / ft.)	275 plf (2 / ft.)
Hold Down Capacity	4,360 lb.	5,900 lb.	7,300 lb.	2,250 lb.	2,750 lb.

Shear Wall Line Beneath	Building Aspect Ratio (L/W)	Percent Full-Height Sheathing on Each Exterior Wall Line				
 <p>Roof and Ceiling</p>	1.00	33%	25%	21%	55%	48%
	1.25	39%	31%	26%	65%	56%
	1.50	46%	36%	30%	73%	64%
	1.75	51%	41%	34%	80%	71%
	2.00	57%	45%	38%	87%	77%
	2.25	61%	49%	42%	92%	83%
	2.50	66%	53%	46%	98%	88%
	2.75	70%	57%	49%	NP	93%
	3.00	74%	61%	52%	NP	97%
 <p>Roof, Ceiling, and One Floor</p>	1.00	63%	51%	43%	95%	85%
	1.25	73%	60%	52%	NP	96%
	1.50	82%	68%	59%	NP	NP
	1.75	89%	75%	65%	NP	NP
	2.00	96%	81%	71%	NP	NP
	2.25	NP	87%	77%	NP	NP
	2.50	NP	92%	82%	NP	NP
	2.75	NP	97%	87%	NP	NP
	3.00	NP	NP	91%	NP	NP

NP= Not Permitted

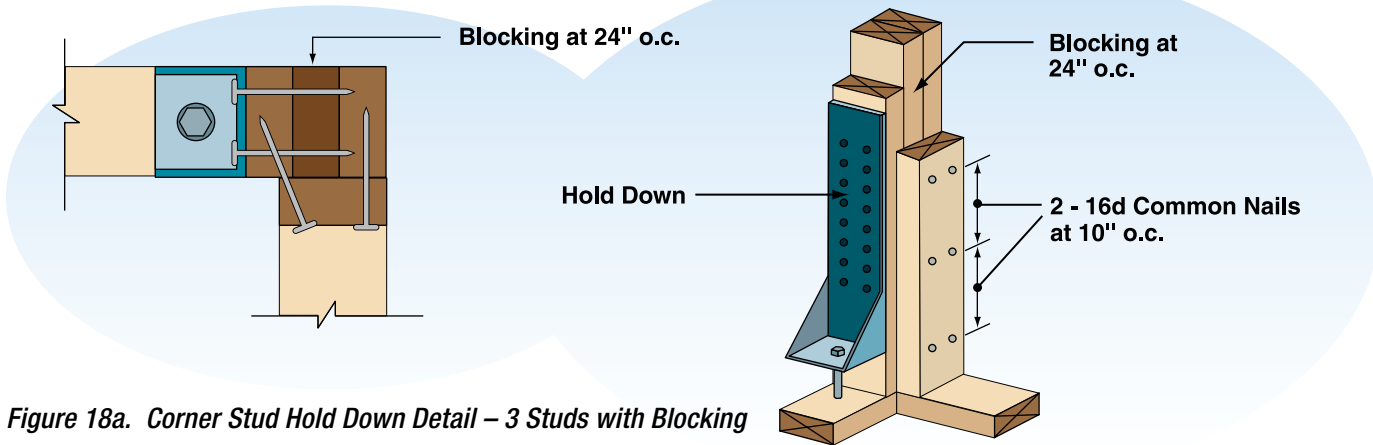


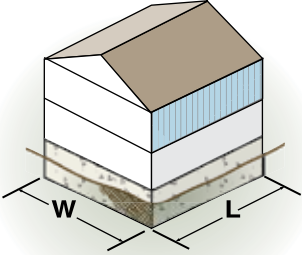
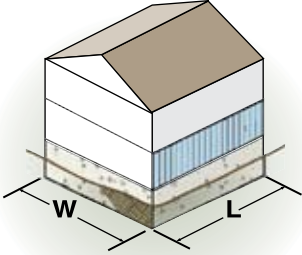
Figure 18a. Corner Stud Hold Down Detail – 3 Studs with Blocking



Table 11. Percentage of Full-Height Sheathing in Maximum Building Dimension (L)

Exterior Sheathing Type	Wood Structural Panel Sheathing			Fiberboard Sheathing	
	7/16"			1/2"	25/32"
Nail Type	8d Common	8d Common	8d Common	8d Roofing	8d Roofing
Edge Nail Spacing	6" o.c.	4" o.c.	3" o.c.	3" o.c.	3" o.c.
Field Nail Spacing	12" o.c.	12" o.c.	12" o.c.	6" o.c.	6" o.c.
Bottom Plate-to-Floor Shear Connection (16d Common Nails)	436 plf (3 / ft.)	590 plf (3 / ft.)	730 plf (4 / ft.)	225 plf (2 / ft.)	275 plf (2 / ft.)
Hold Down Capacity	4,360 lb.	5,900 lb.	7,300 lb.	2,250 lb.	2,750 lb.

Shear Wall Line Beneath	Building Aspect Ratio (L/W)	Percent Full-Height Sheathing on Each Exterior Wall Line				
 <p>Roof and Ceiling</p>	1.00	33%	25%	21%	55%	48%
	1.25	27%	21%	17%	47%	40%
	1.50	23%	18%	15%	41%	35%
	1.75	20%	15%	13%	36%	30%
	2.00	18%	14%	11%	32%	27%
	2.25	16%	12%	10%	29%	24%
	2.50	15%	11%	9%	27%	22%
	2.75	13%	10%	8%	24%	20%
	3.00	12%	9%	8%	23%	19%
 <p>Roof, Ceiling, and One Floor</p>	1.00	63%	51%	43%	95%	85%
	1.25	54%	43%	36%	84%	74%
	1.50	47%	37%	31%	75%	66%
	1.75	42%	33%	27%	68%	59%
	2.00	38%	29%	24%	62%	54%
	2.25	34%	26%	22%	57%	49%
	2.50	31%	24%	20%	53%	45%
	2.75	29%	22%	18%	49%	42%
	3.00	27%	20%	17%	46%	39%

NP= Not Permitted

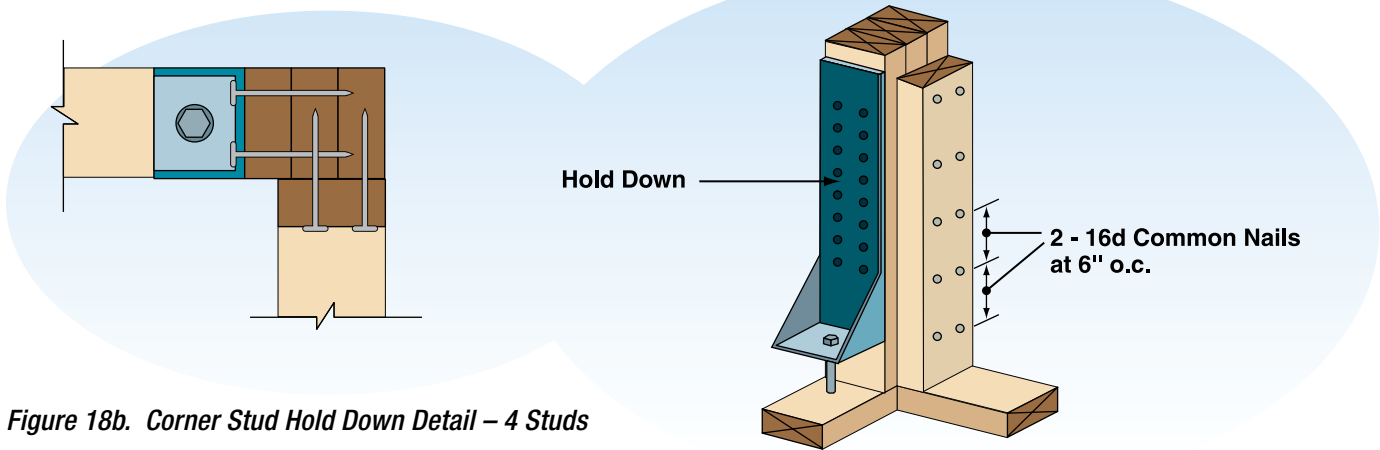


Figure 18b. Corner Stud Hold Down Detail – 4 Studs

# 5 Roofs

## 5.1 GENERAL

- **Framing Member Span.** Roof framing spans shall not exceed 36 feet (See Figure 19).
- **Roof Openings.** Roof openings shall not exceed the lesser of 12 feet or 50% of the building dimension (See Figure 6).
- **Roof Slope.** The roof slope shall not be greater than 12 in 12.

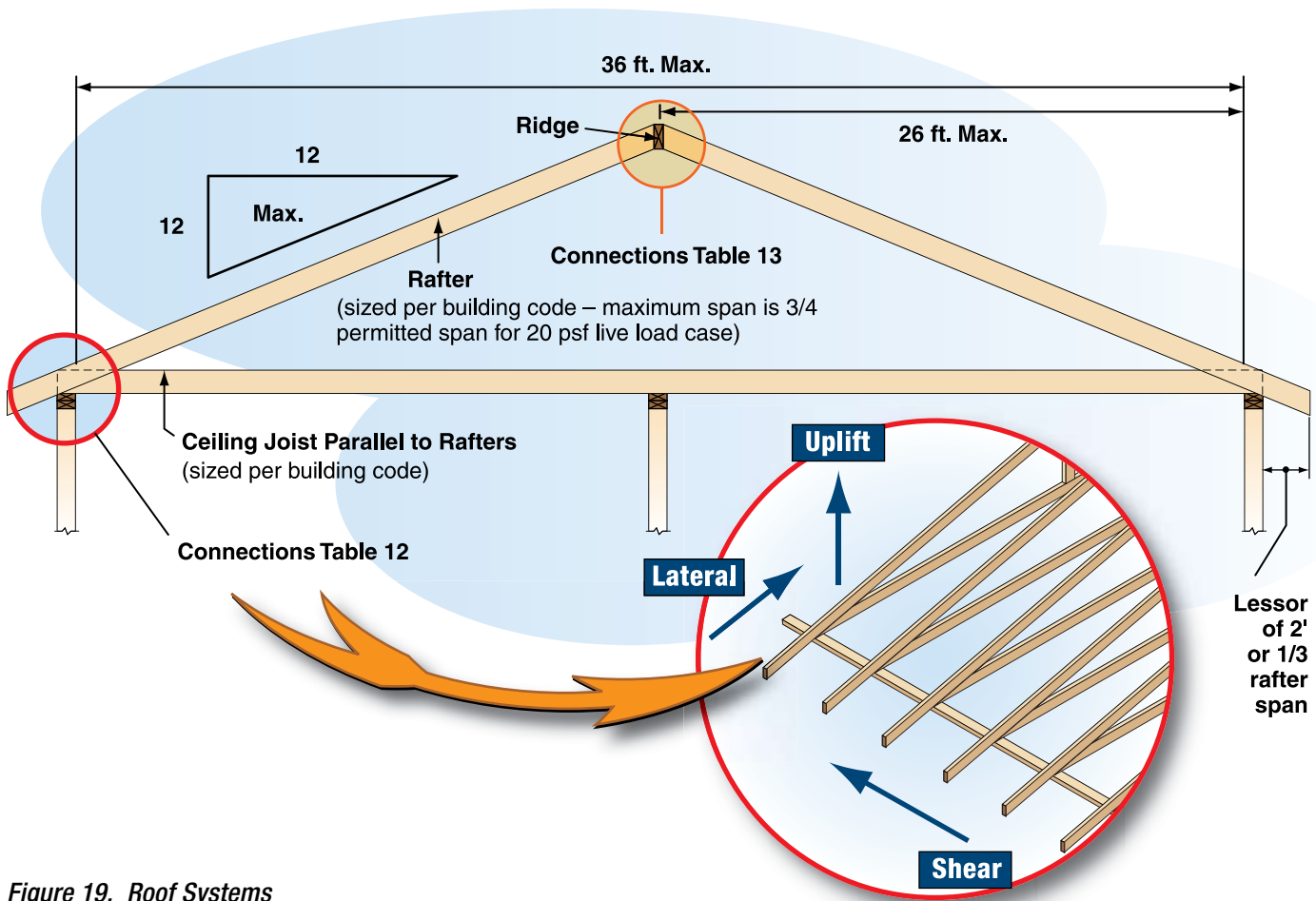


Figure 19. Roof Systems

## 5.2 WOOD RAFTER SYSTEMS

- **Rafters.** Rafters shall be sized in accordance with the governing building code. The maximum rafter span shall be limited to 3/4 of the span permitted for the 20 psf roof live load case, not to exceed 26 feet. Rafters shall be connected to exterior walls in accordance with Table 12 (see page 21).
- **Rafter Overhangs.** Rafter overhangs shall not exceed the lesser of one-third of the rafter span or 2 feet (See Figure 19).

■ **Rake Overhangs.**

- ❑ **Outlookers.** Where structural outlookers are used, the outlookers shall be constructed using 2x4 purlins connected in accordance with Table 14. Rake overhangs shall not be spaced more than 24" or exceed the lesser of one-half of the purlin length or 2 feet (See Figure 20).
- ❑ **Lookout Blocks.** Where non-structural lookout blocks are used, the rake overhang shall not exceed 1 foot (See Figures 15 and 16).

■ **Ridge Construction.**

- ❑ **Ridge Beam.** A ridge beam shall be installed at the roof peak. The ridge beam shall be in accordance with the governing building code. Rafters shall bear directly on the ridge beam or be supported by hangers or framing anchors. Each rafter shall be connected to the ridge beam or to an opposing rafter (See Figure 20) with a ridge strap in accordance with the requirements of Table 13 (page 22). Ceiling joists or rafter ties shall not be required where a ridge beam is provided.
- ❑ **Ridge Board.** A ridge board shall be permitted to be substituted for a ridge beam when roof slopes equal or exceed 3 in 12. The ridge board shall be at least 1 inch nominal in thickness and not less than the depth of the cut end of the rafter. The rafters shall be placed directly opposite each other. Ceiling joists or rafter ties shall be used to provide a continuous tie between exterior walls. Ceiling joist or rafter tie to rafter connections shall be in accordance with the governing building code. Opposing rafters shall be connected at the ridge with ridge straps in accordance with the requirements in Table 13 (See page 22).
- ❑ **Collar Ties.** Ridge straps are not required when collar ties of nominal 1x6 or 2x4 lumber are located in the upper third of the attic space and attached to rafters using 5-10d nails at each end. For reduced requirements, see the *WFCM*.

■ **Ceiling Joists.** Ceiling joists shall be sized in accordance with the governing building code.

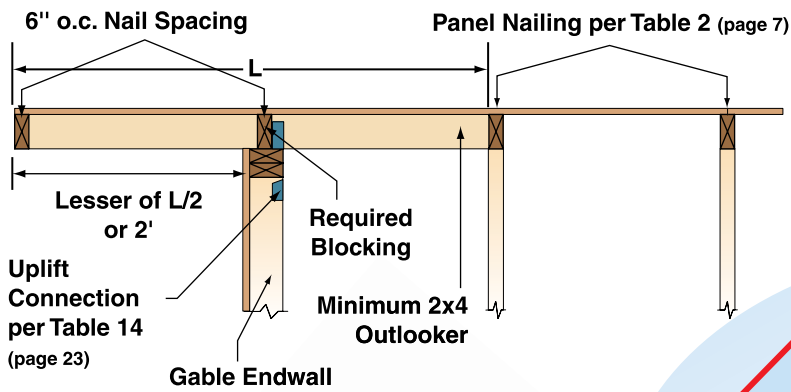
- ❑ **Open (Cathedral) Ceilings.** When ceiling joists and rafter ties are omitted and the rafters are used to create an open (cathedral) ceiling, rafter ends shall be supported on bearing walls, headers, or ridge beams. Rafters shall be attached to the wall assembly in accordance with Table 12 and attached to the ridge beam in accordance with Table 13 (page 22).

Table 12. Truss, I-Joist, or Rafter Connections at Loadbearing Walls

Truss, I-Joist or Rafter Spacing	Roof Framing Span (ft.)							Lateral (lb.)	Shear (lb.)
	12	16	20	24	28	32	36		
	Uplift (lb.)								
12" o.c.	127	152	177	202	227	252	277	132	58
16" o.c.	170	203	236	269	303	336	370	176	77
19.2" o.c.	204	243	283	323	363	403	444	211	93
24" o.c.	255	304	354	404	454	504	554	264	116

Table 13. Ridge Strap Connections

Roof Span (ft.)	Roof Pitch				
	3:12	4:12	5:12	6:12	7:12-12:12
	Ridge Strap Connection Requirement (plf)				
12	176	145	114	103	97
16	235	193	152	138	130
20	294	242	190	172	162
24	353	290	228	207	194
28	412	338	265	241	227
32	471	387	303	276	259
36	529	435	341	310	292



Section A-A

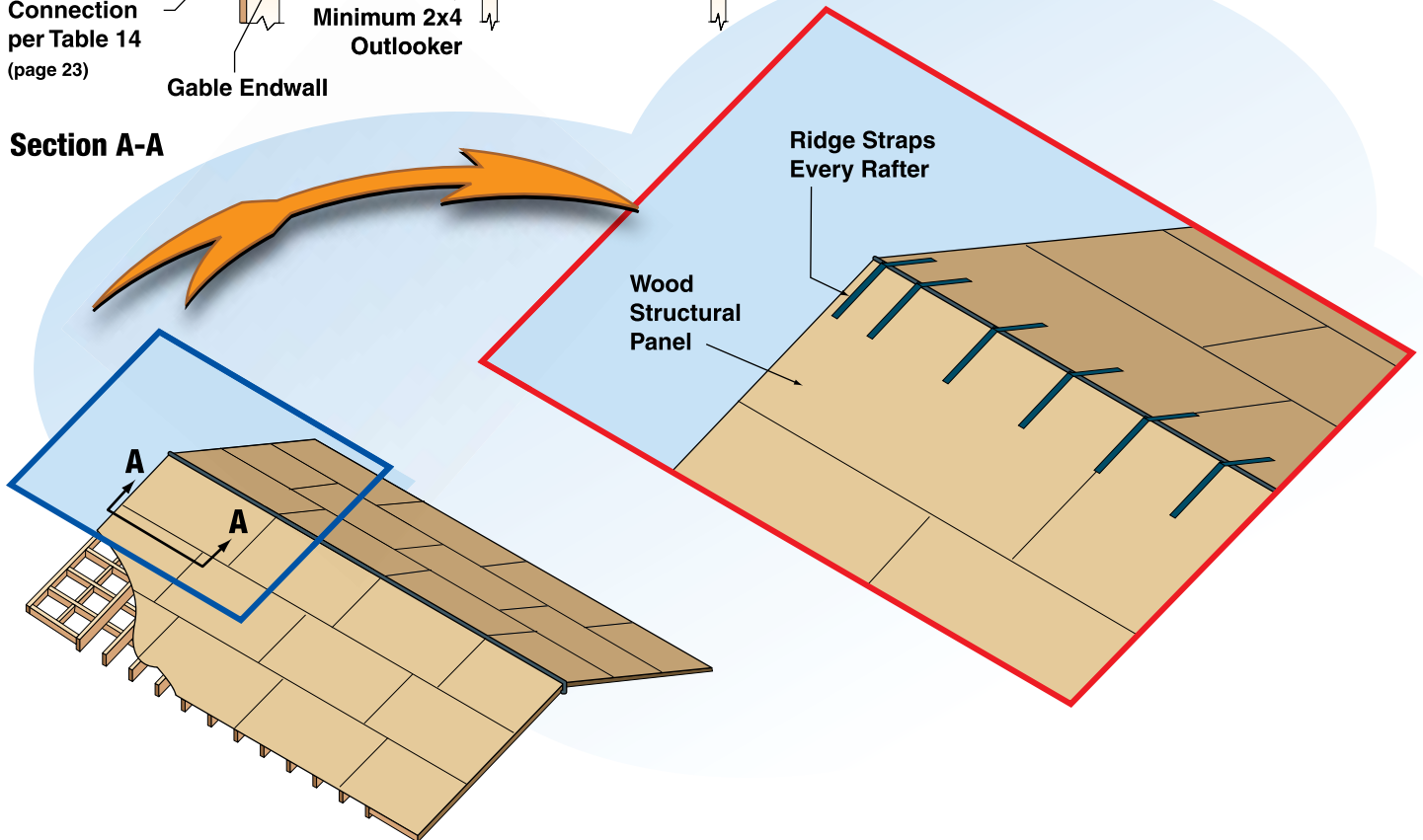


Figure 20. Rafter Outlooker Details

Table 14. Outlooker Connections at Gravity Non-Loadbearing Walls

Outlooker Spacing	Outlooker Uplift (lb.)	Stud Height (ft.)						
		8	10	12	14	16	18	20
		Lateral (lb.)						
12" o.c.	312	111	132	152	171	190	207	224
16" o.c.	417	148	176	203	228	253	276	299
24" o.c.	625	222	264	304	342	380	414	448

### 5.3 WOOD I-JOIST ROOF SYSTEMS

Wood I-joist roof systems shall comply with requirements set forth in the manufacturer’s code evaluation report. I-joist roof framing members shall be connected to exterior walls in accordance with Table 12 (page 21) and to the ridge beam in accordance with Table 13.

### 5.4 WOOD ROOF TRUSS SYSTEMS

Wood roof truss systems shall be designed, manufactured, and installed in accordance *ANSI/TPI 1 National Design Standard for Metal Plate Connected Wood Truss Construction*, the truss design drawings, and/or the manufacturer’s code evaluation report. Roof trusses shall be connected to exterior walls in accordance with Table 12 (page 21).

### 5.5 ROOF SHEATHING

Roofs shall be sheathed with a minimum of 3/8" wood structural panel sheathing and be attached in accordance with Table 2 (page 7).

### 5.6 ROOF BRACING ENDWALL

Blocking and connections shall be provided at panel edges perpendicular to roof framing members in the first two truss or joist spaces and shall be spaced at a maximum of 4 feet on center. Nailing requirements are given in Table 2 (page 7). See Figure 9.

- **EXCEPTION:** When an attic floor or ceiling diaphragm is used to brace the gable endwall or when a hip roof system is used, additional roof diaphragm blocking is not required.

# Glossary of Terms

The following definitions describe some of the terminology used in this Guide.

**Aspect Ratio.** The ratio of building length dimension (L) to the building width dimension (W).

**Blocking.** Wood member which provides edge support for sheathing or provides load path continuity such as below offset walls, offset floors, and between cantilever members.

**Bottom Plate.** A horizontal wood member attached to the bottom of a frame wall and connected to floor joists, girders, or other members.

**Cantilever.** The unsupported portion of a beam which extends beyond a support.

**Ceiling Joist.** A horizontal structural framing member which supports ceiling and/or attic loads.

**Cladding.** Exterior structural elements that receive loads normal to their surface.

**Continuous Load Path.** The interconnection of all framing elements of the lateral and vertical force resisting systems, which transfers lateral and vertical forces to the foundation.

**Endwall.** The exterior wall of a building perpendicular to the roof ridge and parallel to roof rafters or trusses.

**Floor Joist.** A horizontal structural framing member which supports floor loads.

**Foundation Wall.** The vertical structural wall unit attached to the foundation which supports vertical and lateral loads.

**Gable.** The triangular portion of the endwall beneath a dual-slope, pitched, or mono-slope roof.

**Header.** A beam used over wall or roof openings to carry loads across the opening.

**Hold Down.** A connector device used to provide overturning restraint by resisting uplift of the chords of shear walls. (See Figures 18a and 18b)

**I-Joist.** A structural member manufactured using sawn or structural composite lumber flanges and structural panel webs, bonded together with exterior exposure adhesives, forming an "I" cross-sectional shape.

**Jack Rafter.** A rafter that spans from a hip or valley rafter or beam to a wall plate or ridge, respectively.

**Jack Studs.** A vertical structural element which does not span the full height of the wall and supports vertical loads.

**Mean Roof Height.** The distance from average grade to the average roof elevation (See Figure 2).

**Mono-slope Roof.** A roof with constant slope in one direction.

**Perforated Shear Wall.** A shear wall composed of shear wall segments with overturning restraint provided at each end of the shear wall, but which does not require special connections for force transfer around wall openings (See Tables 10-11 on pages 18 and 19).

**Pitched Roof.** A roof with one or more sloping surfaces.

**Rafter.** A horizontal or sloped structural framing member that supports roof loads (See Figure 19).

**Rafter Overhang (Eave).** The horizontal projection of a rafter measured from the outside face of the wall to the outside edge of the rafter.

**Rafter Tie.** A structural framing member located in the lower third of the attic space that ties rafters together to resist thrust from gravity loads on the roof.

**Rake Overhang.** The horizontal projection of the roof measured from the outside face of the gable endwall to the outside edge of the roof (See Figure 16).

**Ridge.** The horizontal line formed by the joining of the top edges of two sloping roof surfaces.

**Ridge Beam.** A structural member used at the ridge of a roof to support the ends of roof rafters and transfer roof loads to supports.

**Ridge Board.** A non-structural member used at the ridge of a roof to provide a common nailing surface and point of bearing for opposing roof rafters.

**Ridge Strap.** A metal connector that fastens opposing rafters together to resist roof suction loads at the ridge.

**Roof Span.** The distance between the outside of exterior walls supporting the roof/ceiling or truss assembly.

**Setback.** The offset distance of a wall on a floor system, measured from the support towards mid-span of the floor system.

**Shear Wall.** A vertical structural unit composed of one or more shear wall segments in one plane.

**Shear Wall Line.** Shear walls which are not offset by more than 4 feet horizontally from any other shear wall may be considered in the same shear wall line.

**Shear Wall Plan Offset.** The distance from a shear wall to the nearest parallel shear wall.

**Sheathing.** The structural covering used directly over framing members, such as studs, joists, or rafters, which transfers perpendicular loads to the framing material.

**Sill Plate.** A horizontal wood member anchored to the foundation and supporting floor joists.

**Slab-On-Grade.** The concrete slab that serves as the floor for the first story, upon which the first story framed walls are attached.

**Span.** The distance between face of supports, plus  $\frac{1}{2}$  the required bearing length at each end.

**Story.** The portion of a structure included between the upper surface of a floor and the upper surface of the floor or roof next above.

**Stud.** Vertical structural element of wall assemblies which transfers vertical and/or lateral loads.

**Top Plate(s).** A horizontal wood member(s) attached to the top of a frame wall and supporting trusses, I-joists, rafters, floor joists, ceiling joists, or other members.

**Truss.** An engineered structural component, assembled from wood members, metal connector plates, or other mechanical fasteners, designed to carry its own weight and superimposed design loads. The truss members form a semi-rigid structural framework and are assembled such that the members form triangles. Variations include metal web trusses, metal tube trusses, and plywood gusset trusses.

**Vertical Floor Offset.** The distance between two adjoining floor assemblies which do not lie in the same horizontal plane.

**Wind Exposure**

**Exposure B.** Urban and suburban areas, wooded areas, or other terrain with numerous closely spaced obstructions having the size of single family dwellings or larger. Exposure B shall be assumed unless the site meets the definition of another type exposure.

**Exposure C.** Open terrain with scattered obstructions including surface undulations or other irregularities having heights generally less than 30 feet extending more than 1500 feet from the building site in any full quadrant. Exposure C extends into adjacent Exposure B type terrain in the downwind direction for a distance of 1500 feet or 10 times the height of the building or structure, whichever is greater. This category includes open country and grasslands, and open water exposure of less than 1 mile.

**Exposure D.** Flat unobstructed areas exposed to wind flowing over open water for a distance of at least 1 mile. This exposure shall apply only to those buildings and other structures exposed to the wind coming from over the water. Exposure D extends inland from the shoreline a distance of 1500 feet or 10 times the height of the building or structure, whichever is greater.

**Window Sill Plate.** A horizontal framing member below an opening.



## Checklist

### 1.1 SCOPE

Wind Speed (3-second gust) ..... 110 mph \_\_\_\_\_  
 Wind Exposure Category ..... B \_\_\_\_\_

### 1.2 APPLICABILITY

Number of Stories ..... (Figure 2) ..... \_\_\_\_\_ stories ≤ 2 stories \_\_\_\_\_  
 Roof Pitch ..... (Figure 19) ..... \_\_\_\_\_ ≤ 12:12 \_\_\_\_\_  
 Mean Roof Height ..... (Figure 2) ..... \_\_\_\_\_ ft. ≤ 33' \_\_\_\_\_  
 Building Width, W ..... (Figure 4) ..... \_\_\_\_\_ ft. ≤ 80' \_\_\_\_\_  
 Building Length, L ..... (Figure 4) ..... \_\_\_\_\_ ft. ≤ 80' \_\_\_\_\_  
 Building Aspect Ratio (L/W) ..... (Figure 4) ..... \_\_\_\_\_ ≤ 3.0:1 \_\_\_\_\_

### 1.3 FRAMING CONNECTIONS

General compliance with framing connections? ..... (Table 2) ..... \_\_\_\_\_

### 2.1 ANCHORAGE TO FOUNDATION

Type of Foundation ..... (Figure 5) ..... \_\_\_\_\_  
 Foundation Anchorage  
     Proprietary Connectors  
         Uplift ..... (Table 3) ..... U = \_\_\_\_\_ plf \_\_\_\_\_  
         Lateral ..... (Table 3) ..... L = \_\_\_\_\_ plf \_\_\_\_\_  
         Shear ..... (Table 3) ..... S = \_\_\_\_\_ plf \_\_\_\_\_  
     5/8" Anchor Bolts  
         Bolt Spacing ..... (Table 4) ..... \_\_\_\_\_ in. \_\_\_\_\_  
         Bolt Embedment ..... (Figure 5) ..... \_\_\_\_\_ in. \_\_\_\_\_  
         Washer Size ..... (Figure 5) ..... \_\_\_\_\_ in. x \_\_\_\_\_ in. x \_\_\_\_\_ in. thick \_\_\_\_\_

### 3.1 FLOORS

Floor framing member spans checked? ..... (IRC or WFCM) ..... \_\_\_\_\_  
 Maximum Floor Opening Dimension ..... (Figure 6) ..... \_\_\_\_\_ ft. ≤ 12' \_\_\_\_\_  
 Maximum Floor Joist Setbacks  
     Supporting Loadbearing Walls or Shearwall ..... (Figure 7) ..... \_\_\_\_\_ ft. ≤ d \_\_\_\_\_  
 Maximum Cantilevered Floor Joists  
     Supporting Loadbearing Walls or Shearwall ..... (Figure 8) ..... \_\_\_\_\_ ft. ≤ d \_\_\_\_\_  
 Floor Bracing at Endwalls ..... (Figure 9) ..... \_\_\_\_\_  
 Floor Sheathing Type ..... (IRC or WFCM) ..... \_\_\_\_\_  
 Floor Sheathing Thickness ..... (IRC or WFCM) ..... \_\_\_\_\_ in. \_\_\_\_\_  
 Floor Sheathing Fastening ..... (Table 2) ..... \_\_\_\_\_

### 4.1 WALLS

Wall Height  
     Loadbearing Walls ..... (Figure 10) ..... \_\_\_\_\_ ft. ≤ 10' \_\_\_\_\_  
     Non-Loadbearing Walls ..... (Figure 10) ..... \_\_\_\_\_ ft. ≤ 20' \_\_\_\_\_  
 Wall Stud Spacing ..... (Figure 10) ..... \_\_\_\_\_ in. ≤ 24" o.c. \_\_\_\_\_  
 Wall Story Offsets ..... (Figures 7-8) ..... \_\_\_\_\_ in. ≤ d \_\_\_\_\_

### 4.2 EXTERIOR WALLS

Wood Studs  
     Loadbearing Walls ..... (Table 5) ..... 2x \_\_\_\_\_ - \_\_\_\_\_ ft. \_\_\_\_\_ in. \_\_\_\_\_  
     Non-Loadbearing Walls ..... (Table 5) ..... 2x \_\_\_\_\_ - \_\_\_\_\_ ft. \_\_\_\_\_ in. \_\_\_\_\_

110 MPH EXPOSURE B WIND ZONE

Bracing Gable End Walls

- WSP Attic Floor Length..... (Figure 11) ..... \_\_\_ ft.  $\geq$  W/3 \_\_\_\_\_
- Gypsum Ceiling Length..... (Figure 11) ..... \_\_\_ ft.  $\geq$  0.9W \_\_\_\_\_

Double Top Plate

- Splice Length ..... (Figure 13) ..... \_\_\_ ft. \_\_\_\_\_
- Splice Connection (no. of 16d common nails) ..... (Table 6) ..... \_\_\_\_\_

Loadbearing Wall Connections

- Uplift. (proprietary connectors)..... (Table 7) ..... U = \_\_\_ lb. \_\_\_\_\_
- Lateral (no. of 16d common nails) ..... (Table 7) ..... \_\_\_\_\_

Non-Loadbearing Wall Connections

- Uplift. (proprietary connectors)..... (Table 8) ..... U = \_\_\_ lb. \_\_\_\_\_
- Lateral (no. of 16d common nails) ..... (Table 8) ..... \_\_\_\_\_

Wall Openings

- Header Spans ..... (Table 9) ..... \_\_\_ ft. \_\_\_ in.  $\leq$  11' \_\_\_\_\_
- Sill Plate Spans ..... (Table 9) ..... \_\_\_ ft. \_\_\_ in.  $\leq$  12' \_\_\_\_\_
- Full Height Studs (no. of studs)..... (Table 9) ..... \_\_\_\_\_
- Connections at each end of header or sill
  - Uplift. (proprietary connectors) ..... (Table 9) ..... \_\_\_ lb. \_\_\_\_\_
  - Lateral (proprietary connectors) ..... (Table 9) ..... \_\_\_ lb. \_\_\_\_\_

Wall Sheathing

Minimum Building Dimension, W

- Sheathing Type ..... (Table 10) ..... \_\_\_\_\_
- Edge Nail Spacing ..... (Table 10) ..... \_\_\_ in. \_\_\_\_\_
- Field Nail Spacing..... (Table 10) ..... \_\_\_ in. \_\_\_\_\_
- Shear Connection (no. of 16d common nails) ..... (Table 10) ..... \_\_\_\_\_
- Hold Down Capacity ..... (Table 10) ..... \_\_\_ lb. \_\_\_\_\_
- Percent Full-Height Sheathing..... (Table 10) ..... \_\_\_% \_\_\_\_\_

Maximum Building Dimension, L

- Sheathing Type ..... (Table 11) ..... \_\_\_\_\_
- Edge Nail Spacing ..... (Table 11) ..... \_\_\_ in. \_\_\_\_\_
- Field Nail Spacing..... (Table 11) ..... \_\_\_ in. \_\_\_\_\_
- Shear Connection (no. of 16d common nails) ..... (Table 11) ..... \_\_\_\_\_
- Hold Down Capacity ..... (Table 11) ..... \_\_\_ lb. \_\_\_\_\_
- Percent Full-Height Sheathing..... (Table 11) ..... \_\_\_% \_\_\_\_\_

Wall Cladding

- Rated for Wind Speed?..... \_\_\_\_\_

5.1 ROOFS

- Roof framing member spans checked?..... (IRC or WFCM)..... \_\_\_\_\_

- Roof Overhang..... (Figure 19) ..... \_\_\_ ft.  $\leq$  2' or L/3 \_\_\_\_\_

Truss, I-Joist, or Rafter Connections at Loadbearing Walls

Proprietary Connectors

- Uplift. .... (Table 12) ..... U = \_\_\_ lb. \_\_\_\_\_
- Lateral..... (Table 12) ..... L = \_\_\_ lb. \_\_\_\_\_
- Shear..... (Table 12) ..... S = \_\_\_ lb. \_\_\_\_\_

- Ridge Strap Connections – Tension ..... (Table 13) ..... T = \_\_\_ plf \_\_\_\_\_

- Gable Rafter Outlooker ..... (Figure 20) ..... \_\_\_ ft. ft.  $\leq$  2' or L/2 \_\_\_\_\_

Outlooker Connections at Non-Loadbearing Walls

Proprietary Connectors

- Uplift. .... (Table 14) ..... U = \_\_\_ lb. \_\_\_\_\_
- Lateral..... (Table 14) ..... L = \_\_\_ lb. \_\_\_\_\_

- Roof Sheathing Type ..... (IRC or WFCM)..... \_\_\_\_\_

- Roof Sheathing Thickness ..... \_\_\_ in.  $\geq$  3/8" wsp \_\_\_\_\_

- Roof Sheathing Fastening..... (Table 2) ..... \_\_\_\_\_

# **American Wood Council**

*Engineered and Traditional Wood Products*

## **AWC Mission Statement**

*To increase the use of wood by assuring the broad regulatory acceptance of wood products, developing design tools and guidelines for wood construction, and influencing the development of public policies affecting the use of wood products.*

**American Forest & Paper Association  
American Wood Council  
1111 19th Street, NW  
Suite 800  
Washington, DC 20036  
[www.awc.org](http://www.awc.org)  
[awcinfo@afandpa.org](mailto:awcinfo@afandpa.org)**

**America's Forest & Paper People®  
Improving Tomorrow's Environment Today®**

**A F & P A®**

